



GNE V322 X

Refrigerator  
冰箱用户手册

**BEKO**

## Please read this manual first!

Dear Customer,

We hope that your product, which has been produced in modern plants and checked under the most meticulous quality control procedures, will provide you an effective service.

For this, we recommend you to carefully read the entire manual of your product before using it and keep it at hand for future references.




### This manual

- Will help you use your appliance in a fast and safe way.
- Read the manual before installing and operating your product.
- Follow the instructions, especially those for safety.
- Keep the manual in an easily accessible place as you may need it later.
- Besides, read also the other documents provided with your product.

Please note that this manual may be valid for other models as well.

### Symbols and their descriptions

This instruction manual contains the following symbols:

-  Important information or useful usage tips.
-  Warning against dangerous conditions for life and property.
-  Warning against electric voltage.



This product is supplied with the selective sorting symbol for waste electrical and electronic equipment (WEEE).

This means that this product must be handled pursuant to European Directive 2002/96/EC in order to be recycled or dismantled to minimise its impact on the environment. For further information, please contact your local or regional authorities.

Electronic products not included in the selective sorting process are potentially dangerous for the environment and human health due to the presence of hazardous substances.

# CONTENTS

---

## **1 The refrigerator 3**

### **2 Important Safety Warnings 4**

Intended use.....	4
For products with a water dispenser;....	6
Child safety.....	6
HCA Warning.....	6
Things to be done for energy saving.....	7
Recommmendations for freshfood compartment.....	7

### **3 Installation 8**

Points to be considered when re-transporting your refrigerator.....	8
Before operating your refrigerator.....	8
Electric connection.....	9
Disposing of the packaging.....	9
Disposing of your old refrigerator.....	9
Placing and Installation.....	9
Floor balance adjustment.....	10
Adjusting the gap between the upper door.....	12
Installing Water Filter.....	13
Connection of the Water Pipe to the Refrigerator.....	14
Connection of Water Hose to the Jug.....	16
Connection of the Water Pipe to the Cold Water Mains Line.....	17
Prior to first use of Ice/Water Dispenser.....	18

## **4 Preparation 19**

### **5 Using your refrigerator 20**

Setting the fridge compartment temperature.....	21
Setting the freezer compartment temperature.....	21
Fresh Freeze Function.....	21
Quick Cool Function.....	22
Vacation Button.....	22
Auto Eco Button (Special Economy function).....	22
Ioniser.....	22
Key Lock Button.....	22
Water Dispenser Illumination.....	22
Water/Ice Type Selection.....	22
Ice/Water Dispenser.....	22
Using the Ice Dispenser.....	22
Ice Off.....	23
Using the water spring.....	24
Spillage Tray.....	24
Egg tray.....	24
Sliding Body Shelves.....	24
Blue light.....	25
Ion:.....	25
Egg tray.....	25
Fresh Freeze Compartment.....	25
Crisper humidity control sliders.....	25
Recommendations for preservation of frozen food.....	26
Defrosting.....	26
Replacing the Interior Light Bulb.....	26

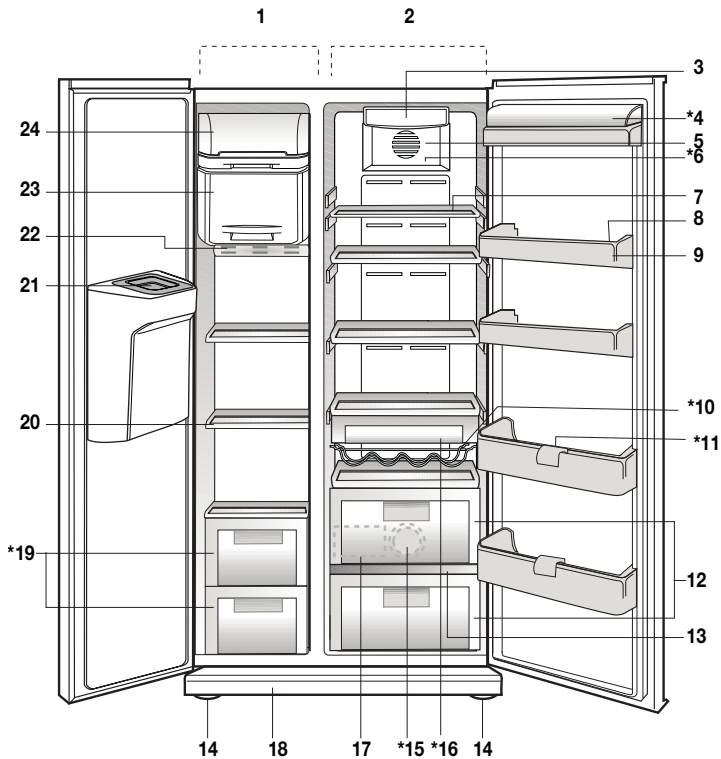
### **6 Maintenance and cleaning 28**

Protection of plastic surfaces.....	28
Chiller compartment.....	29
Icebox and Water Dispenser.....	29

### **7 Recommended solutions for the problems 30**

---

# 1 The refrigerator



- |                                      |  |
|--------------------------------------|--|
| 1. Freezer compartment               | 13 Crisper cover                       |
| 2. Fridge compartment                | 14. Adjustable front legs              |
| 3. Fridge compartment interior light | 15. Blue light                         |
| 4. Butter and cheese lid             | 16. Snack tray                         |
| 5. Fan                               | 17. Water reservoir                    |
| 6. Ioniser                           | 18. Ventilation lid                    |
| 7. Fridge compartment glass shelves  | 19. Freezer compartment drawers        |
| 8. Egg tray                          | 20. Freezer Compartment glass shelves  |
| 9. Fridge compartment door racks     | 21. Ice duct lid                       |
| *10. Wine cellar                     | 22. Freezer compartment interior light |
| *11. Bottle holder                   | 23. Fresh Freeze compartment           |
| 12. Crisper compartments             | 24. Ice container                      |
|                                      | * OPTIONAL                             |

**1** Figures that take place in this instruction manual are schematic and may not correspond exactly with your product. If the subject parts are not included in the product you have purchased, then it is valid for other models.

## 2 Important Safety Warnings

---

Please review the following information. Failure to observe this information may cause injuries or material damage. Otherwise, all warranty and reliability commitments will become invalid.

The usage life of the unit you purchased is 10 years. This is the period for keeping the spare parts required for the unit to operate as described.

### Intended use

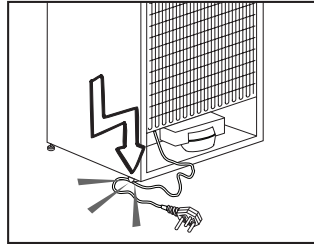
- This product is intended to be used
- indoors and in closed areas such as homes;
  - in closed working environments such as stores and offices;
  - in closed accommodation areas such as farm houses, hotels, pensions.
- This product should not be used outdoors.

### General safety

- When you want to dispose/scrap the product, we recommend you to consult the authorized service in order to learn the required information and authorized bodies.
- Consult your authorized service for all your questions and problems related to the refrigerator. Do not intervene or let someone intervene to the refrigerator without notifying the authorised services.
- For products with a freezer compartment; Do not eat cone ice cream and ice cubes immediately after you take them out of the freezer compartment! (This may cause frostbite in your mouth.)
- For products with a freezer compartment; Do not put bottled and canned liquid beverages in the freezer compartment. Otherwise, these may burst.
- Do not touch frozen food by hand; they may stick to your hand.
- Unplug your refrigerator before cleaning or defrosting.
- Vapor and vaporized cleaning materials should never be used in cleaning and defrosting processes of your refrigerator. In such cases, the vapor may get in contact with the electrical parts and cause short circuit or electric shock.
- Never use the parts on your refrigerator such as the door as a means of support or step.
- Do not use electrical devices inside the refrigerator.
- Do not damage the parts, where the refrigerant is circulating, with drilling or cutting tools. The refrigerant that might blow out when the gas channels of the evaporator, pipe extensions or surface coatings are punctured causes skin irritations and eye injuries.
- Do not cover or block the ventilation holes on your refrigerator with any material.
- Electrical devices must be repaired by only authorised persons. Repairs performed by incompetent persons create a risk for the user.
- In case of any failure or during a maintenance or repair work, disconnect your refrigerator's mains supply by either turning off the relevant fuse or unplugging your appliance.
- Do not pull by the cable when pulling off the plug.

- Place the beverage with higher proofs tightly closed and vertically.
- Never store spray cans containing flammable and explosive substances in the refrigerator.
- Do not use mechanical devices or other means to accelerate the defrosting process, other than those recommended by the manufacturer.
- This product is not intended to be used by persons with physical, sensory or mental disorders or unlearned or inexperienced people (including children) unless they are attended by a person who will be responsible for their safety or who will instruct them accordingly for use of the product
- Do not operate a damaged refrigerator. Consult with the service agent if you have any concerns.
- Electrical safety of your refrigerator shall be guaranteed only if the earth system in your house complies with standards.
- Exposing the product to rain, snow, sun and wind is dangerous with respect to electrical safety.
- Contact authorized service when there is a power cable damage to avoid danger.
- Never plug the refrigerator into the wall outlet during installation. Otherwise, risk of death or serious injury may arise.
- This refrigerator is intended for only storing food items. It must not be used for any other purpose.
- Label of technical specifications is located on the left wall inside the refrigerator.
- Never connect your refrigerator to electricity-saving systems; they may damage the refrigerator.
- If there is a blue light on the refrigerator, do not look at the blue light with optical tools.

- For manually controlled refrigerators, wait for at least 5 minutes to start the refrigerator after power failure.
- This operation manual should be handed in to the new owner of the product when it is given to others.
- Avoid causing damage on power cable when transporting the refrigerator. Bending cable may cause fire. Never place heavy objects on power cable. Do not touch the plug with wet hands when plugging the product.



- Do not plug the refrigerator if the wall outlet is loose.
- Water should not be sprayed directly on inner or outer parts of the product for safety purposes.
- Do not spray substances containing inflammable gases such as propane gas near the refrigerator to avoid fire and explosion risk.
- Never place containers filled with water on top of the refrigerator, otherwise this may cause electric shock or fire.
- Do not overload your refrigerator with excessive amounts of food. If overloaded, the food items may fall down and hurt you and damage refrigerator when you open the door. Never place objects on top of the refrigerator; otherwise, these objects may fall down when you open or close the refrigerator's door.
- As they require a precise temperature, vaccines, heat-sensitive medicine and scientific materials

and etc. should not be kept in the refrigerator.

- If not to be used for a long time, refrigerator should be unplugged. A possible problem in power cable may cause fire.
- The plug's tip should be regularly cleaned; otherwise, it may cause fire.
- The plug's tip should be cleaned regularly with a dry cloth; otherwise, it may cause fire.
- Refrigerator may move if adjustable legs are not properly secured on the floor. Properly securing adjustable legs on the floor can prevent the refrigerator to move.
- When carrying the refrigerator, do not hold it from door handle. Otherwise, it may be snapped.
- When you have to place your product next to another refrigerator or freezer, the distance between devices should be at least 8cm. Otherwise, adjacent side walls may be humidified.

## **For products with a water dispenser;**

Pressure of water mains should be minimum 1 bar. Pressure of water mains should be maximum 8 bars.

- Use only potable water.

## **Child safety**

- If the door has a lock, the key should be kept away from reach of children.
- Children must be supervised to prevent them from tampering with the product.

## **HCA Warning**

### **If your product's cooling system contains R600a:**

This gas is flammable. Therefore, pay attention to not damaging the cooling system and piping during usage and transportation. In the event of damage, keep your product away from potential fire sources that can cause the product catch a fire and ventilate the room in which the unit is placed.

### **Ignore this warning if your product's cooling system contains R134a.**

Type of gas used in the product is stated in the type plate which is on the left wall inside the refrigerator.

Never throw the product in fire for disposal.

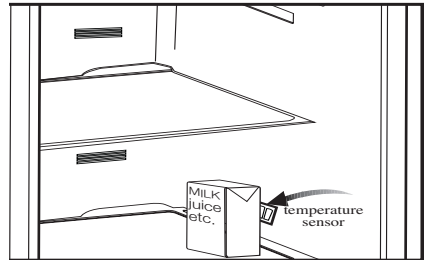
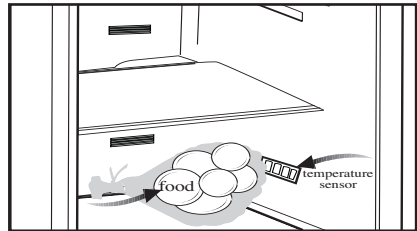
## Things to be done for energy saving

- Do not leave the doors of your refrigerator open for a long time.
- Do not put hot food or drinks in your refrigerator.
- Do not overload your refrigerator so that the air circulation inside of it is not prevented.
- Do not install your refrigerator under direct sunlight or near heat emitting appliances such as ovens, dishwashers or radiators.
- Pay attention to keep your food in closed containers.
- For products with a freezer compartment; You can store maximum amount of food items in the freezer when you remove the shelf or drawer of the freezer. Energy consumption value stated for your refrigerator has been determined by removing freezer shelf or drawer and under maximum load. There is no harm to use a shelf or drawer according to the shapes and size of food to be frozen.
- Thawing frozen food in fridge compartment will both provide energy saving and preserve the food quality.

## Reccomendations for freshfood compartment

### \* OPTIONAL

- Please do not let any foodstuff to come to contact with the temperature sensor in freshfood compartment. In order to maintain freshfood compartment at ideal storage temperature, the sensor must not be blocked by fodstuffs.
- Do not place hot foodstuff in your appliance.





### 3 Installation

- i** Please remember that the manufacturer shall not be held liable if the information given in the instruction manual is not observed.

#### Points to be considered when re-transporting your refrigerator

1. Your refrigerator must be emptied and cleaned prior to any transportation.
2. Shelves, accessories, crisper and etc. in your refrigerator must be fastened securely by adhesive tape against any jolt before repackaging.
3. Packaging must be tied with thick tapes and strong ropes and the rules of transportation printed on the package must be followed.

#### **i** Always remember...

Every recycled material is an indispensable source for the nature and for our national resources.

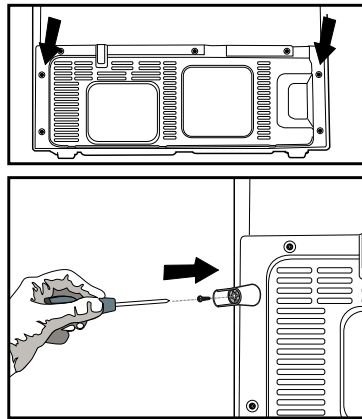
If you wish to contribute to recycling the packaging materials, you can get further information from the environmental bodies or local authorities.

#### Before operating your refrigerator

Before starting to use your refrigerator check the following:

1. Is the interior of the refrigerator dry and can the air circulate freely in the rear of it?

2. Clean the interior of the refrigerator as recommended in the "Maintenance and cleaning" section.
3. Insert the 2 plastic wedges onto the rear ventilation as illustrated in the following figure. Unscrew the existing ones and use the screws given in the same bag of wedges. Plastic wedges will provide the required distance between your refrigerator and the wall in order to allow the air circulation.



4. Plug the refrigerator into the wall outlet. When the door is open the respective interior light will come on.
5. You will hear a noise as the compressor starts up. The liquid and gases sealed within the refrigeration system may also give rise to noise, even if the compressor is not running and this is quite normal.
6. Front edges of the refrigerator may feel warm. This is normal. These areas are designed to be warm to avoid condensation.

## Electric connection

Connect your refrigerator to a grounded socket which is being protected by a fuse with the appropriate capacity.

Important:

- ⚠ The connection must be in compliance with national regulations.
- ⚠ The power cable plug must be easily accessible after installation.
- ⚠ The specified voltage must be equal to your mains voltage.
- ⚠ Extension cables and multiway plugs must not be used for connection.
- ⚠ A damaged power cable must be replaced by a qualified electrician.
- ⚠ The appliance must not be operated before it is repaired! There is danger of electric shock!

## Disposing of the packaging

⚠ The packing materials may be dangerous for children. Keep the packing materials out of the reach of children or dispose them of by classifying them in accordance

with the waste instructions. Do not dispose them of along with the normal household waste.

The packing of your refrigerator is produced from recyclable materials.

## Disposing of your old refrigerator

Dispose of your old machine without giving any harm to the environment.

- ⚠ You may consult your authorized dealer or waste collection center of your municipality about the disposal of your refrigerator.
- ⚠ Before disposing of your refrigerator, cut out the electric plug and, if there are any locks on the door, make them inoperable in order to protect children against any danger.

## Placing and Installation

⚠ Caution: Never plug the refrigerator into the wall outlet during installation. Otherwise, risk of death or serious injury may arise.

⚠ If the entrance door of the room where the refrigerator will be installed is not wide enough for the refrigerator to pass through, than call the authorised service to have them remove the doors of your refrigerator and pass it sideways through the door.

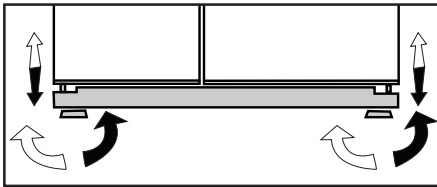
1. Install your refrigerator to a place that allows ease of use.
2. Keep your refrigerator away from heat sources, humid places and direct sunlight.
3. There must be appropriate air ventilation around your refrigerator in order to achieve an efficient operation. If the refrigerator is to be placed in a

recess in the wall, there must be at least 5 cm distance with the ceiling and at least 5 cm with the wall.

If the floor is covered with a carpet, your product must be elevated 2.5 cm from the floor.

4. Place your refrigerator on an even floor surface to prevent jolts.

5. Do not keep your refrigerator in ambient temperatures under 10°C.

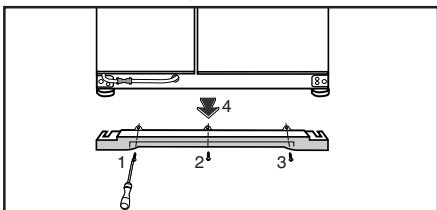


(A)

### Floor balance adjustment

If your refrigerator is unbalanced;

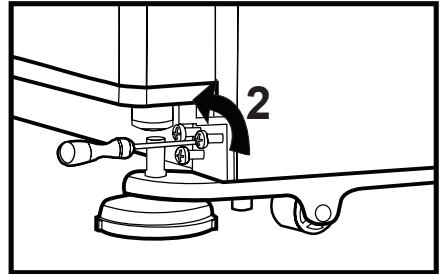
You can balance your refrigerator by turning the front legs of it as illustrated in the figure. (See Figure A) The corner where the leg exists is lowered when you turn in the direction of black arrow and raised when you turn in the opposite direction. Taking help from someone to slightly lift the refrigerator will facilitate this process.



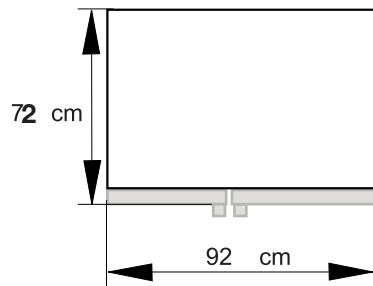
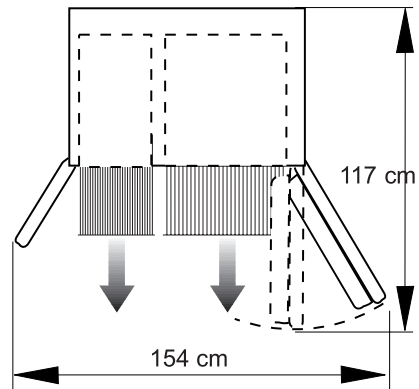
(B)

### Door height adjustment

In case there is a problem with the alignment of the doors with respect to each other, they may be re-aligned vertically in the order given below. Ensure that door shelves are empty when adjusting the door height.



(C)

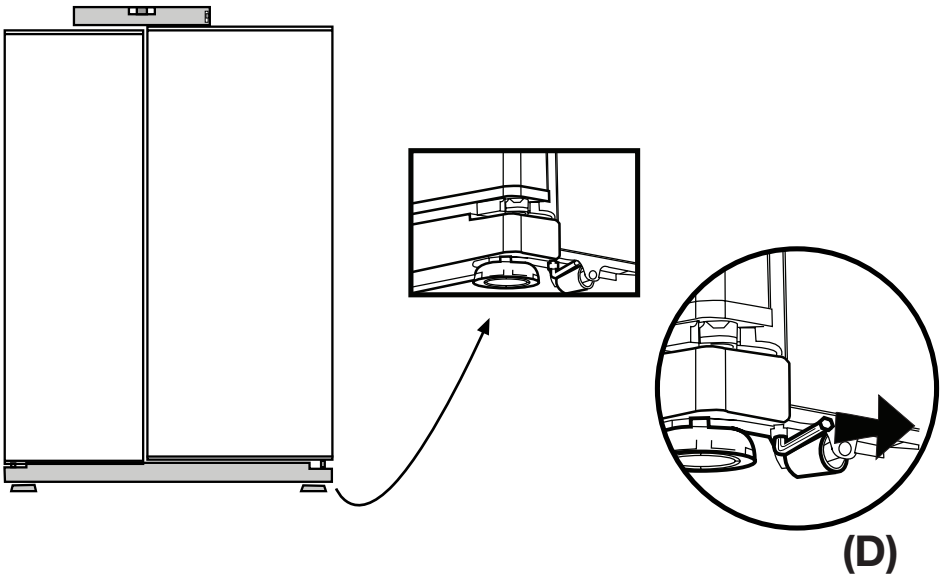


1. Remove the lower ventilation cover by unscrewing its screws as shown in the figure below. (See Figure B)

2. Loosen the three screws of the hinges of the lower door, which you wish to escalate, with the help of a screwdriver as shown in the figure below. (Do not remove completely) (See Figure C)

- If the freezer compartment door is lower than the fridge compartment door, bring them to the same level by turning the turning the elevation screw on the freezer compartment side in the direction of arrow using a M6 Allen wrench as illustrated in Figure D.

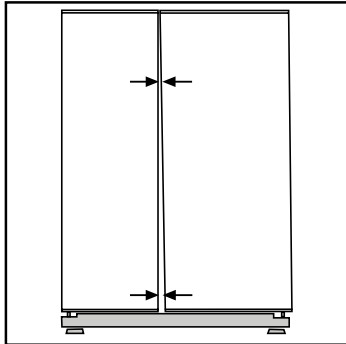
- If the freezer compartment door is higher than the fridge compartment door, bring them to the same level by turning the elevation screw on the freezer compartment side in the reverse direction of arrow using a M6 Allen wrench as illustrated in Figure D. After bringing the doors to the same level by elevating the front part with the aid of the elevation screws, ensure the doors of the refrigerator shall close properly. If the doors do not close properly, this might adversely affect the efficiency of the refrigerator.



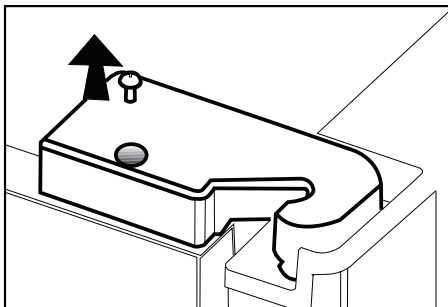
## Adjusting the gap between the upper door

**i** You can adjust the gap between the fridge compartment doors as illustrated in the figures.

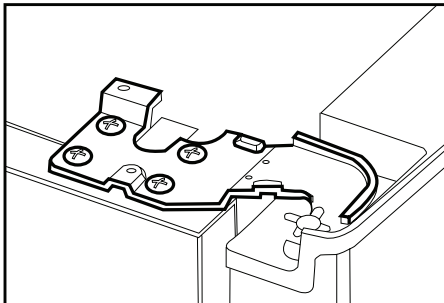
Door shelves should be empty when adjusting the door height.



Because of being wires in the hinge cover of the freezer door, switch off the refrigerator power

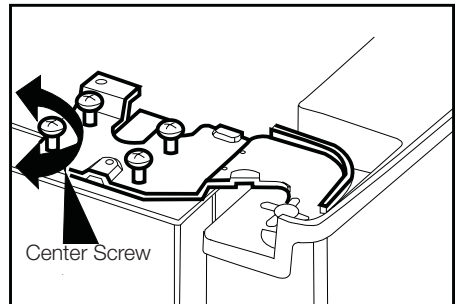
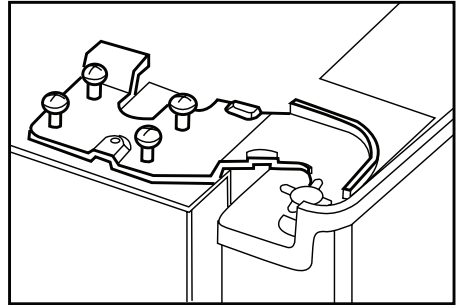


before removing hinge covers and this situation should be made to take care.

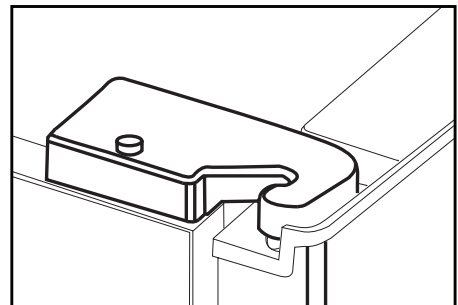


**i** Using a screwdriver, remove the screw of upper hinge cover of the door you want to adjust.

**i** Adjust the door appropriately as you desire by loosening the screws.



**i** Fix the door you have adjusted by tightening the screws without changing the position of the door.



**i** Replace the hinge cover and fix with the screw.

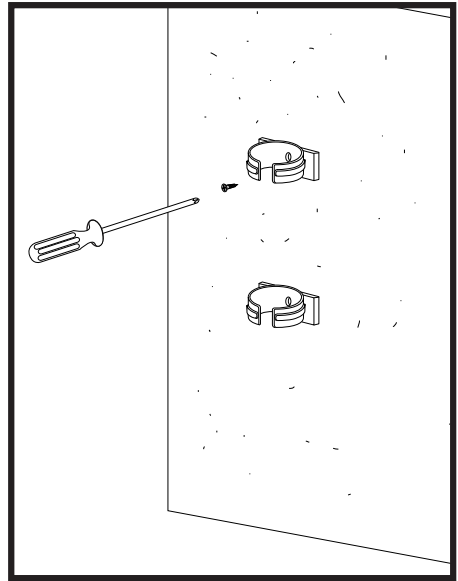
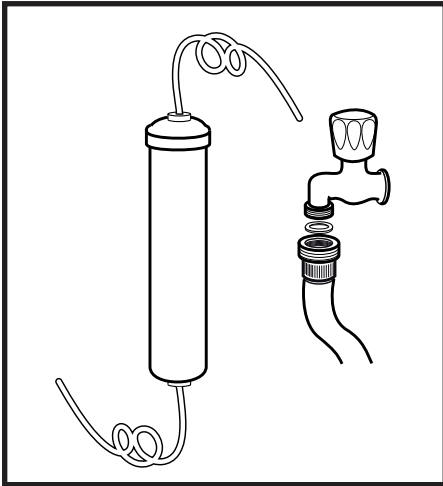
## Installing Water Filter

(in some models)

### Installation Requirements

Two different water sources may be connected to the refrigerator for water supply: the mains cold water supply and water in a jug.

A pump should be used for jug water usage.

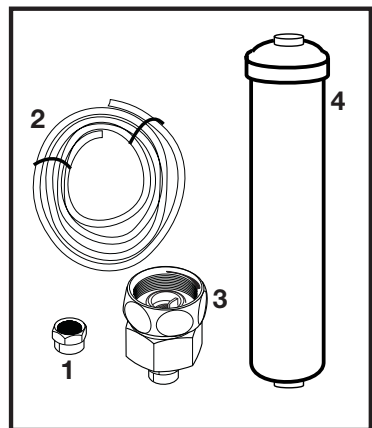


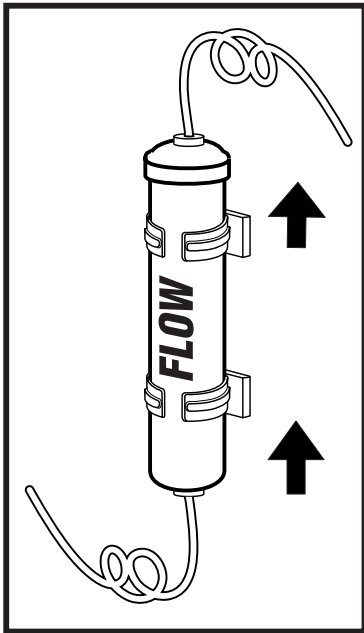
3. 5 meter long water pipe (1/4 inch in diameter)
4. Cold mains water valve with mesh filter (Tap Adapter)
5. Water Filter to be fitted to the bracket inside the fridge compartment.

Check that the parts stated below are supplied with your appliance.

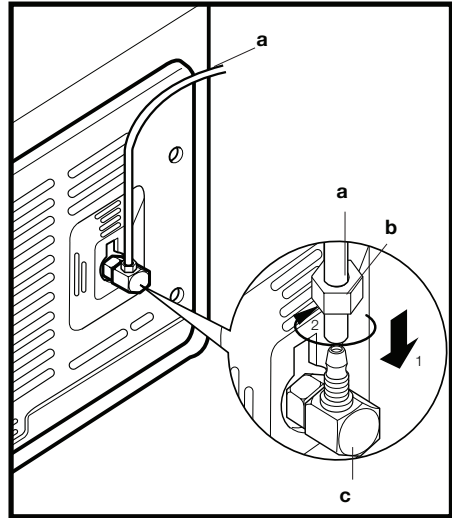
1. Union for connection of the water pipe to the rear of the appliance
2. 3 pieces of pipe clips (In case required to secure the water pipe)

**i** Note: Since the following parts are not required in use with a jug, they may not be found in the product you purchased.





**Water connection to the refrigerator**  
**Please follow the instructions below.**  
**Connection of the Water Pipe to the Refrigerator**



1. After installing the union onto the water pipe, insert the water pipe to the refrigerator inlet valve by pressing downwards firmly.

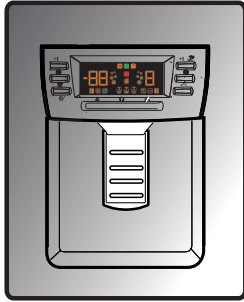
2. Fix union as seen in the opposite figure, by squeezing by hand on the refrigerator inlet valve.

(a- Water Pipe, b-Union, c-Valve)

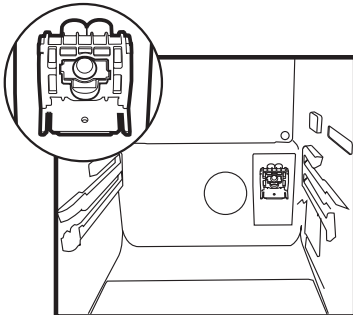
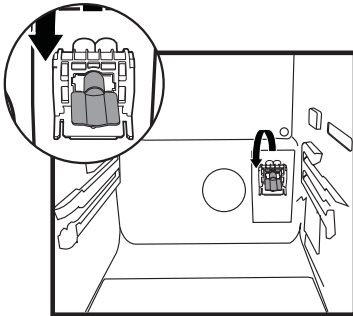
**i** Note 1: You should not need to tighten the union with a tool to achieve water tight assembly. In case of a leak use a spanner or a pair of pliers to tighten the union.

To fit the water filter follow the instructions below referring to figures supplied:

1. Press ice cancel button on the display. (Figure 1)



2. Remove the filter cover in the fridge compartment by pulling it forward. (Figure 2)
3. Take out the water filter by-pass cover by rotating it downwards. (Figure 3-4)

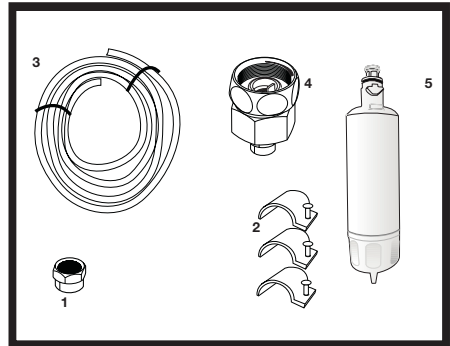


**⚠ Warning:** Make sure that the “Ice off” mode is active before taking out the by-pass cover.

**Note:** It is normal that a few drops of water drip after the cover has been taken out.

4. Remove the lid on top of the water filter to place it as shown in the figure and turn upwards to lock it. (Figure 5)
5. Press ice cancel button on the display again to exit from this mode.

Water filter should be replaced every 6 months. The water filter must be removed as shown in the figure when it is going to be replaced or when it will no longer be used and by-pass cover must be attached. It must be made sure that Ice Off mode is active before taking it out.





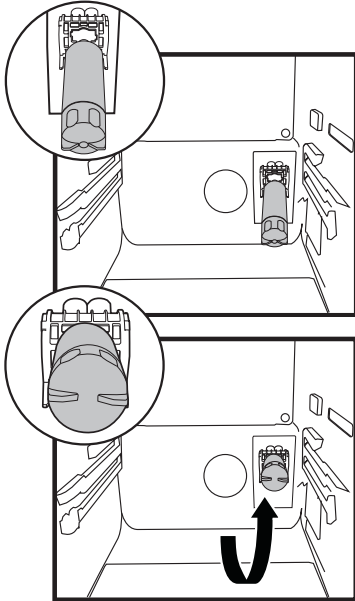
**⚠ Warning:** Water filter cleans some foreign particles in the water. It does not purify water from microorganisms.

**⚠ Warning:** Ice Off button must always be pressed during replacement of the water filter or installing the bypass cover.

3. After completing the connection, plug in and run the pump.

To provide an efficient operation of the pump, wait for 2-3 minutes after starting the pump.

**📖 Note:** You may refer to the user manual of the pump while making the water connection.

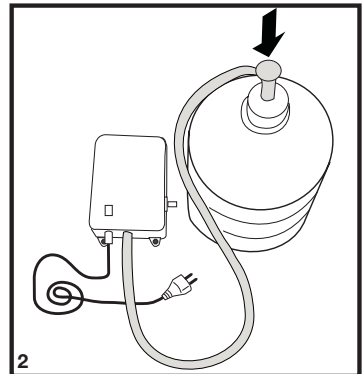
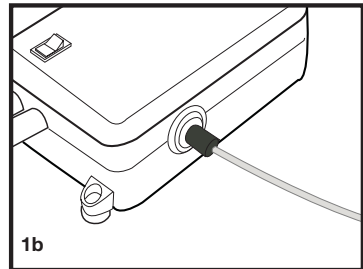
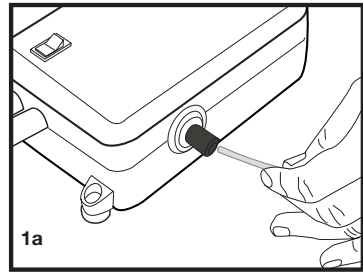


## Connection of Water Hose to the Jug

(in some models)

To connect water to the refrigerator from a jug, a pump is needed. Follow the instructions below after connecting one end of the water pipe coming out of the pump to the refrigerator as described on the previous page.

1. Finish the connection by pushing the other end of the water pipe into the water pipe inlet of the pump as shown in the figure.
2. Put and fix the pump hose into the jug as shown in the figure.



## Connection of the Water Pipe to the Cold Water Mains Line

(in some models)

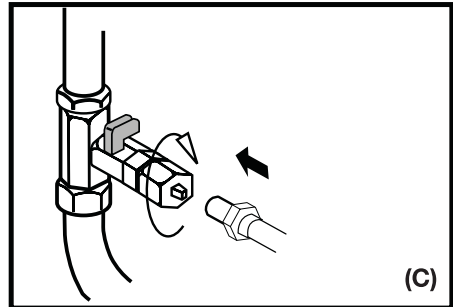
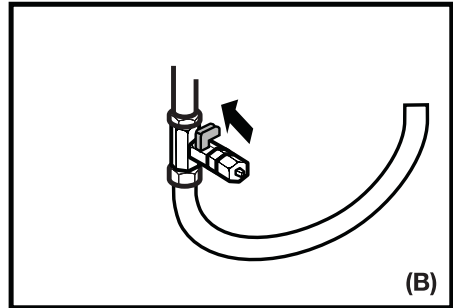
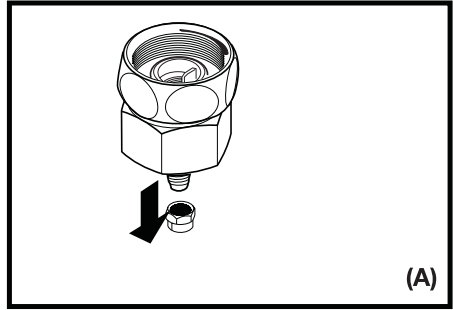
If you want to use your refrigerator by connecting it to the cold water mains line,

you will have to connect a standard 1/2" valve connection fitting to the cold water supply in your house. In case this valve is not present or in case you are not sure, consult a qualified plumber.

1. Separate the union from the tap adaptor. (Figure A)
2. Install the tap adaptor to 1/2" valve fitting as shown in the figure. (Figure B)
3. After inserting the water pipe to the union, install it to the tap adaptor and insert to the tap as shown in the figure. (Figure C)
4. Tighten the union manually. In case of a leak use a spanner or a pair of pliers to tighten the union.

**⚠ Warning:** Secure the water pipe to suitable points by means of the pipe clips supplied to avoid any damage or displacement or accidental disconnection.

**⚠ Warning:** After turning on the water valve, make sure that there is no leakage at both connection points of the water pipe. In case of a leak, turn off the valve immediately and tighten all joints again using a spanner or a pair of pliers.



**⚠ Warning:** Make sure that standard 1/2" valve fitting fed by cold mains water supply is available and is turned off fully.

Note -1: There is no need to use water filter in case a jug is used.

Note -2: Pump must be used when jug will be used.

## **Prior to first use of Ice/Water Dispenser**

**i** Water mains pressure must not be below 1 bar.

**i** Water mains pressure must not be over 8 bars.

**i** Pumps must be used in case the supply water pressure drops below 1 bar or if a jug is going to be used.

**i** Water system of the refrigerator must be connected to the cold water line. It must not be connected to hot water line.

**i** No water may be obtained in the initial startup of the refrigerator. This is caused by the air in the system. To discharge air from the system, press Dispenser latch for periods of 1 minute until water comes from the Dispenser. Water flow may be irregular in the beginning. Irregular water flow will be normalized after the air in the system is discharged.

**i** At the initial startup of the refrigerator approx. 12 hours must pass before cold water can be obtained.

**i** Water mains pressure must be between 1-8 bars for the operation of Ice/Water Dispenser smoothly. For this, check that 1 glass of water (100 cc) can be filled in 10 seconds.

**i** The first 10 glasses of water should not be consumed.

**i** 12 hours must pass to obtain ice from the Ice Dispenser for the first time. If there is not enough ice in the ice dispenser, ice may not be obtained from ice dispenser.

**i** Approximately the first 30 cubes of ice to be obtained from the Ice Dispenser must not be used.

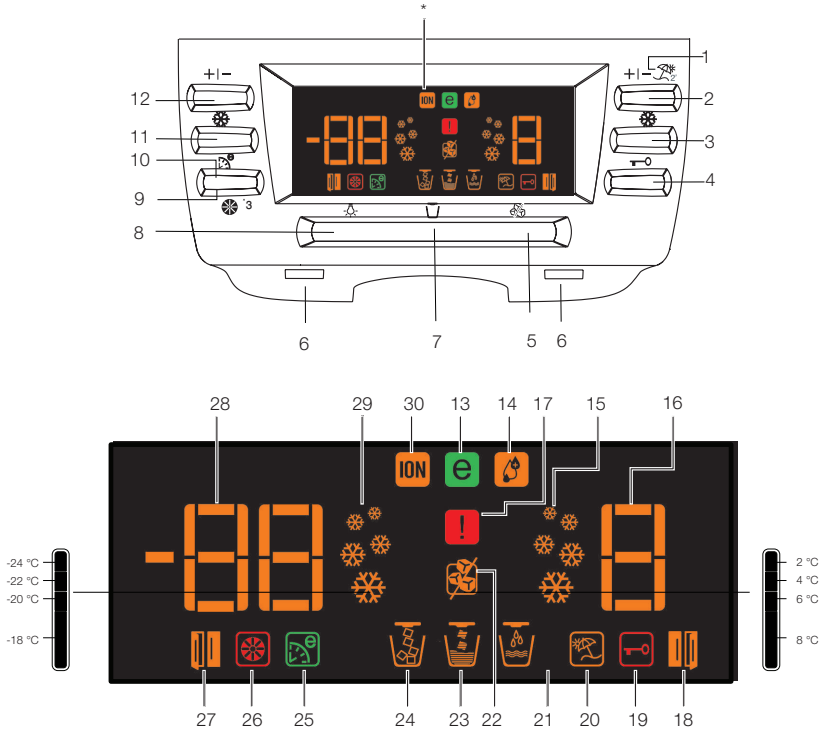
**i** Always use the water filter when a jug is not being used.

## 4 Preparation

---

- i** Your refrigerator should be installed at least 30 cm away from heat sources such as hobs, ovens, central heater and stoves and at least 5 cm away from electrical ovens and should not be located under direct sunlight.
- i** The ambient temperature of the room where you install your refrigerator should at least be 10°C. Operating your refrigerator under cooler conditions than this is not recommended with regard to its efficiency.
- i** Please make sure that the interior of your refrigerator is cleaned thoroughly.
- i** If two refrigerators are to be installed side by side, there should be at least 2 cm distance between them.
- i** When you operate your refrigerator for the first time, please observe the following instructions during the initial six hours.
  - The door should not be opened frequently.
  - It must be operated empty without any food in it.
  - Do not unplug your refrigerator. If a power failure occurs out of your control, please see the warnings in the “Recommended solutions for the problems” section.
- i** Original packaging and foam materials should be kept for future transportations or moving.

## 5 Using your refrigerator



- |  |   |
|--|---|
| <ul style="list-style-type: none"> <li>1. Fridge Set button</li> <li>2. Vacation mode button</li> <li>3. Quick fridge button</li> <li>4. Key lock button</li> <li>5. Ice Off button</li> <li>6. Water Dispenser Lights</li> <li>7. Ice / Water selection button</li> <li>8. Water Dispenser light button</li> <li>9. Filter Reset button</li> <li>10. Auto Eco button</li> <li>11. Quick freeze button</li> <li>12. Freezer Set button</li> <li>13. Economy mode indicator</li> <li>14. High humidity indicator</li> <li>15. Quick cool indicator</li> </ul> | <ul style="list-style-type: none"> <li>16. Fridge temperature setting indicator</li> <li>17. High temperature/error warning indicator</li> <li>18. Fridge door open indicator</li> <li>19. Key Lock indicator</li> <li>20. Vacation mode indicator</li> <li>21. Water indicator</li> <li>22. No ice indicator</li> <li>23. Crash Ice indicator</li> <li>24. Cube Ice indicator</li> <li>25. Auto Eco indicator</li> <li>26. Filter reset indicator</li> <li>27. Freezer door open indicator</li> <li>28. Freezer Compartment Temperature Setting indicator</li> <li>29. Fast Freeze indicator</li> <li>30. Ioniser indicator</li> </ul> |
|--|---|

OPTIONAL

Freezer Compartment Adjustment	Fridge Compartment Adjustment	Explanations
-15°C	4°C	This is the normal recommended setting.
-18,-21 or -24°C	4°C	These settings are recommended when the ambient temperature exceeds 30°C.
Fresh Freeze	4°C	Use this when you wish to freeze your food or make ice in a short time. Your refrigerator will return to its previous mode when the process is over.
-15°C or colder	2°C	If you think that your fridge compartment is not cold enough because of the hot conditions or frequent opening and closing of the door.
-15°C or colder	Quick Cool	You can use it when your fridge compartment is overloaded or if you wish to cool down your food rapidly.

## Setting the fridge compartment temperature

Fridge compartment temperature can be set at one of the following temperatures:

8,6,4 and 2°C

Press the Fridge Set button to change. The temperature will decrease by 2°C. Every time you press the button, the temperature will go down and then return to the highest setting. Release at the desired temperature and the new set temperature will be stored.

If you think that your food is colder than you desire, you can adjust the temperature setting of fridge compartment to 6 or 8.

## Setting the freezer compartment temperature

Freezer temperature can be set at one of the following temperatures : -15 / -18 / -21 / -24 and -24°C

Press the Freezer Set button to change. The temperature will decrease by 2°C. Every time you press the button, the temperature will go down and then return to the highest setting. Release at the desired temperature and the new set temperature will be stored.

## Fresh Freeze Function

When you press “Fresh Freeze” button, the compressor will run for about 14 hours. Fresh Freeze indicator will glow. To cancel this function press Fresh Freeze button again. Fresh Freeze indicator will turn off and return to its normal settings. Fresh Freeze will cancel itself automatically after about 12 hours if you do not cancel it.

If you want to freeze large amounts of fresh food, press the Fresh Freeze button 14 hours before putting the food into the freezer compartment.

## Quick Cool Function

When you press Quick Cool button, the temperature of the compartment will be colder than the adjusted values. This function can be used for food placed in the fridge compartment and required to be cooled down rapidly.

After pressing the Quick Cool button, Quick Cool indicator will glow. To cancel this function press Quick Cool button again. Quick Cool indicator will turn off and return to its normal settings. Quick Cool function will cancel itself automatically in case you do not cancel it.

## Vacation Button

In case the fridge compartment will not be used for a long time, the usage of the fridge compartment may be cancelled by pressing on the Vacation Button. By this way, the refrigerator may operate more economically. Press on Vacation Button for 3 seconds to activate this function. When this function is active, the door of the fridge compartment must be kept closed and no food must be left in the fridge compartment.

## Auto Eco Button (Special Economy function)

When "Auto Eco" button is pressed, Auto Economy Function will be activated. If the door of the fridge compartment is kept closed for a long time when this function is selected, the fridge compartment will switch to a more economic operation mode to save electricity automatically. When the Auto Eco button is pressed again, this function is deactivated.

## Ioniser

The ioniser helps purify the air in the fridge and is carried out automatically

## Key Lock Button

The key lock is activated when this button is pressed for 3 seconds and all buttons and the dispenser latch will not work. If you want to deactivate key lock press again for 3 seconds.

## Water Dispenser Illumination

When the Light button is pressed, the water dispenser lamp will light up and it will go off when the button is pressed again. This illumination will also light up when the water dispenser latch is pressed, and it will go off a short while after the latch is released.

## Water/Ice Type Selection

With Dispenser Selection button, either one of "water", "ice cube" or "crushed ice" options is selected.

## Ice/Water Dispenser

With its three different functions, the dispenser efficiently meets your cold water, cube ice and crushed ice needs without having to open the door of the refrigerator. It is a continuous cold water and ice source without adding water. User friendly control panel provides the following dispensing functions:

Note:

- Water or ice can be dispensed for a maximum of 90 seconds at each use.
- When the freezer door is open, the dispenser will not work.



Ice Cube  
Water



Crushed Ice



Cold  
Water

## Using the Ice Dispenser

**i** Please note, first ice cubes will not be ready before 12 hours after switching on the appliance.

In case you do not need ice, such as during winter or in case you are on vacation, select the ice off function.

**i** Ice device produces approximately 110 cubes of ice in 24 hours and this amount may change according to the frequency of opening of doors, refrigerator settings and power outage. Produced ice may be obtained from the dispenser as cube ice or crushed ice.

It is normal to get crushed ice from the dispenser in a longer time than in getting the ice cubes and also flowing of some crushed ice before the ice cubes drop if crushed ice option had been selected before selecting ice cube option.

**i** If the ice dispenser hasn't been used for a long time or after a power cut the ice may form clumps or if the ice has taken on a change in smell or taste then the ice must be disposed of and the icebox cleaned thoroughly.

### Warnings

- i** No ice must be added to the ice dispenser compartment. This may adversely affect the ice supply or crushing the ice.
- ⚠** It is normal to have a couple of ice cubes stuck together in the icebank.
- ⚠** Moving parts such as blades in a housing at the ice outlet of the dispenser must not be touched to avoid injury.
- ⚠** Never use sharp objects to break the ice in the icebox. This may cause damage on the icebox.
- ⚠** Food stuff should never be placed into the icebox for quick cooling purposes.
- ⚠** When the icebox is to be removed for any reason, first of all Ice Off Button must be pressed.

### Ice Off

**i** To stop ice formation, Ice Off button is pressed. When Ice Off is selected, no water will be taken into the Icematic. However, already existing ice can be taken from the dispenser. To restart ice formation, Ice Off button must be pressed again.

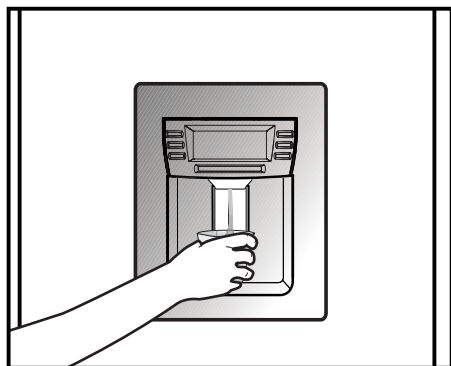
**Warning:** If you do not use the ice dispenser, do not forget to put ice duct cover into the ring inside of the freezer door. **(See. Your Refrigerator section)**

### FILTER Reset Button:

Water filter should be replaced every six months. Filter reset indicator lites if water filter needs to be changed Press filter Reset Button for 3 seconds to remove filter reset indicator warning.



## Using the water spring



### Warnings

It is normal for the first few glasses of water taken from the dispenser to be warm.

In cases where the water dispenser has not been used frequently, sufficient amount of water must be drained from the dispenser to get fresh water.

### Spillage Tray

Water drops that drip during use, accumulates in the spillage tray. You can remove spillage tray by pulling it to yourself or pressing on its edge (depending on the model). You can remove the water with a sponge or a soft cloth.



## Egg tray

You can install the egg holder to the desired door or body shelf.

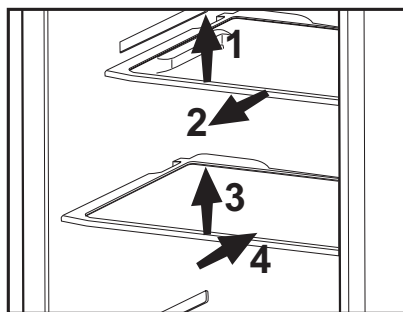
Never store the egg holder in the freezer compartment

## Sliding Body Shelves

Sliding body shelves can be pulled by slightly lifting up from the front and moved back and forth. They come to a stop point when pulled towards front to allow you reach the foods placed at the back of the shelf; when it is pulled after slightly lifted upwards at the second stop point, the body shelf will be released.

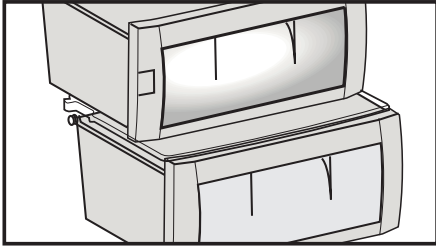
The shelf should be hold tightly from the bottom as well in order to prevent it from tipping over. The body shelf is placed on the rails at the sides of the refrigerator body by bringing it to one lower or one upper level.

The body shelf should be pushed backwards to seat it completely.



## Blue light

Foodstuff stored in the crispers that are enlightened with a blue light continue their photosynthesis by means of the wavelength effect of blue light and thus, preserve their freshness and increase their vitamin content.



## Ion:

Air is ionized by means of the ionizer system in the fridge compartment air duct. Thanks to this system, air-borne bacteria and particles that cause odour are removed.

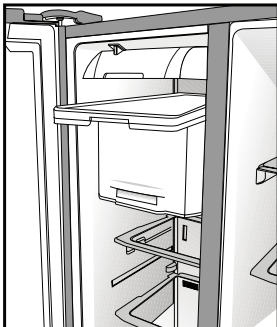
## Egg tray

You can install the egg holder to the desired door or body shelf.

Never store the egg holder in the freezer compartment

## Fresh Freeze Compartment

This compartment freezes your food quickly and preserves their tastes and nutritional values.

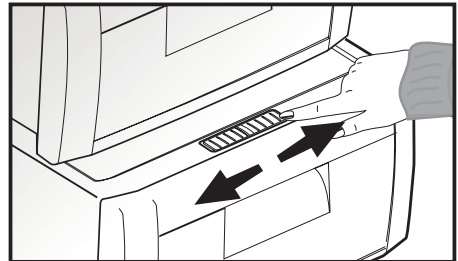


## Crisper humidity control sliders

Crisper of your refrigerator is designed especially fresh to keep your vegetables freshly without losing their humidity. Cold air circulates basically around the crisper and the amount of the cold air passing through the crisper is controlled by the sliders on the front side of the crisper cover.

You can adjust the humidity control sliders to a suitable position according to the humidity and cooling condition of your food in the crisper.

If you want your food in the crisper to cool more, open the holes of the humidity control sliders and if you want them to cool less and keep their humidity for a longer time, close the holes.



## Recommendations for preservation of frozen food

- Prepacked commercially frozen food should be stored in accordance with the frozen food manufacturer's instructions for a **\*\*\*\*** (4 star) frozen food storage compartment.

- To ensure that the high quality achieved by the frozen food manufacturer and the food retailer is maintained, the following should be remembered:

1. Put packets in the freezer as quickly as possible after purchase.

2. Ensure that contents are labelled and dated.

3. Do not exceed "Use By", "Best Before" dates on the packaging.

If there is a power failure do not open the freezer door. Even if the power failure lasts up to the time specified on Type Label (inside left of the refrigerator), frozen food will not be affected. In case the failure lasts longer, the food must be checked and when necessary, must be consumed immediately or must be frozen after cooked.

## Defrosting

The fridge and freezer compartments defrost automatically.

## Replacing the Interior Light Bulb

Should the light fail to work, proceed as follows:

1. Switch off at the socket outlet and pull out the mains plug.

Remove all shelves and drawers for easy access.

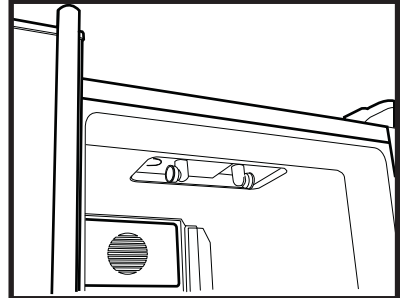
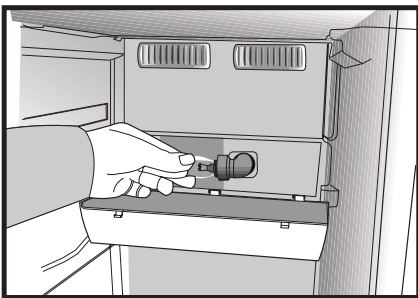
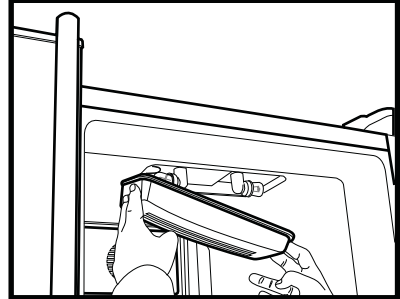
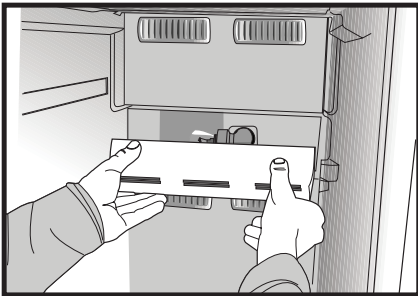
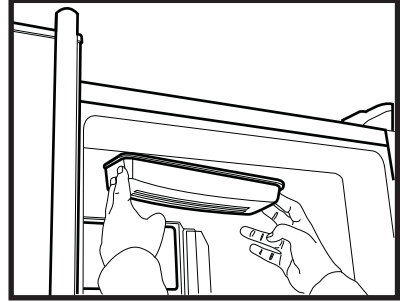
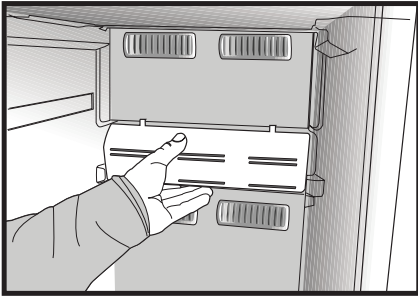
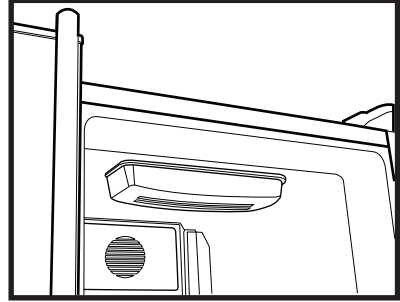
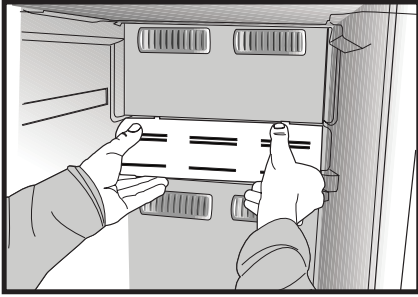
2. Illumination covers in freezer and fridge sections are opened by pressing by hand; first release one side and then the other by pressing on the sides as shown in the figures.

3. First check that the bulb has not worked loose by ensuring that it is screwed securely in the holder. Reinsert the plug and switch on. If the bulb works, reinstall the light cover by inserting the rear lug and pushing up to locate the front two lugs.

4. If the light still fails to work, switch off at the socket outlet and pull out the mains plug. Replace the bulb with a new 15 watt (max) screw cap E14 (SES) bulb.

5. Carefully dispose of the burnt-out light bulb immediately.

Replacement light bulb can easily be obtained from a good local electrical or DIY store.



## 6 Maintenance and cleaning

---

- ⚠ Never use gasoline, benzene or similar substances for cleaning purposes.
- ⚠ We recommend that you unplug the appliance before cleaning.
- ⚠ Never use any sharp abrasive instrument, soap, household cleaner, detergent and wax polish for cleaning.
- ℹ Use lukewarm water to clean the cabinet of your refrigerator and wipe it dry.
- ℹ Use a damp cloth wrung out in a solution of one teaspoon of bicarbonate of soda to one pint of water to clean the interior and wipe it dry.
- ⚠ Make sure that no water enters the lamp housing and other electrical items.
- ⚠ If your refrigerator is not going to be used for a long period of time, unplug the power cable, remove all food, clean it and leave the door ajar.
- ℹ Check door seals regularly to ensure they are clean and free from food particles.
- ⚠ To remove door racks, remove all the contents and then simply push the door rack upwards from the base.

### Protection of plastic surfaces

- ℹ Do not put the liquid oils or oil-cooked meals in your refrigerator in unsealed containers as they damage the plastic surfaces of your refrigerator. In case of spilling or smearing oil on the plastic surfaces, clean and rinse the relevant part of the surface at once with warm water.

## Chiller compartment

If you wish to use the storage container under the shelf as the Chiller compartment, the storage container under the shelf should be placed as shown in the picture.

Chiller compartments enable the foods to be frozen become ready for freezing. You can also use these compartments to store your food at a temperature a few degrees below the fridge compartment.

You can increase the inner volume of your refrigerator by removing any of the chiller compartments. To do this, pull the compartment towards yourself; the compartment will lean against the stopper and stop. This compartment will be released when you lift it about 1 cm and pull it towards yourself.

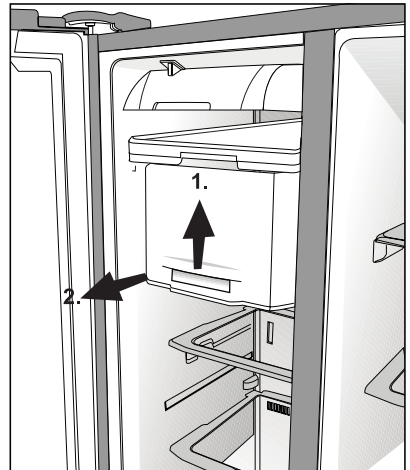


## Icebox and Water Dispenser

- i** Follow the procedure and warnings below to clean the icebox:
- ⚠** Remove the Icebox by lifting first and then pulling towards yourself as shown in the diagram.
- ⚠** Empty the ice in the Icebox if any. To take out the stuck ice, use objects that are not sharp to avoid any damage on the Icebox.
- ⚠** Pay attention that the inside of the Icebox is not wet/damp before placing it back to its housing.
- ⚠** If you want to get ice from the ice dispenser after placing the Icebox back to its housing and closing the freezer door, exit from Ice Off mode by pressing the Ice Off key again.

**⚠ Do not touch moving parts like the knife in the Icebox.**

**i Leave the Water Reservoir empty when you are not going to use for a long time**



## 7 Recommended solutions for the problems

Please review this list before calling the service. It might save you time and money. This list includes frequent complaints that are not arising from defective workmanship or material usage. Some of the features described here may not exist in your product.

### The refrigerator does not operate.

- Is the refrigerator properly plugged in? Insert the plug to the wall socket.
- Is the fuse of the socket which your refrigerator is connected to or the main fuse blown out? Check the fuse.

### Condensation on the side wall of the fridge compartment (MULTIZONE, COOL CONTROL and FLEXI ZONE).

- Very cold ambient conditions. Frequent opening and closing of the door. Highly humid ambient conditions. Storage of food containing liquid in open containers. Leaving the door ajar. Switching the thermostat to a colder degree.
- Decreasing the time the door left open or using it less frequently.
- Covering the food stored in open containers with a suitable material.
- Wipe the condensation using a dry cloth and check if it persists.

### Compressor is not running

- Protective thermic of the compressor will blow out during sudden power failures or plug-out plug-ins as the refrigerant pressure in the cooling system of the refrigerator has not been balanced yet. Your refrigerator will start running approximately after 6 minutes. Please call the service if the refrigerator does not startup at the end of this period.
- The fridge is in defrost cycle. This is normal for a full-automatically defrosting refrigerator. Defrosting cycle occurs periodically.
- Your refrigerator is not plugged into the socket. Make sure that the plug is properly fit into the socket.
- Are the temperature adjustments correctly made?
- Power might be cut off.

The fridge is running frequently or for a long time.

- Your new product may be wider than the previous one. This is quite normal. Large refrigerators operate for a longer period of time.
- The ambient room temperature may be high. This is quite normal.
- The refrigerator might have been plugged in recently or might have been loaded with food. Cooling down of the refrigerator completely may last for a couple of hours longer.
- Large amounts of hot food might have been put in the refrigerator recently. Hot food causes longer running of the refrigerator until they reach the safe storage temperature.
- Doors might have been opened frequently or left ajar for a long time. The warm air that has entered into the refrigerator causes the refrigerator to run for longer periods. Open the doors less frequently.
- Freezer or fridge compartment door might have been left ajar. Check if the doors are tightly closed.
- The refrigerator is adjusted to a very low temperature. Adjust the refrigerator temperature to a warmer degree and wait until the temperature is achieved.
- Door seal of the fridge or freezer may be soiled, worn out, broken or not properly seated. Clean or replace the seal. Damaged/broken seal causes the refrigerator to run for a longer period of time in order to maintain the current temperature.

Freezer temperature is very low while the fridge temperature is sufficient.

- The freezer temperature is adjusted to a very low temperature. Adjust the freezer temperature to a warmer degree and check.

Fridge temperature is very low while the freezer temperature is sufficient.

- The fridge temperature might have been adjusted to a very low temperature. Adjust the fridge temperature to a warmer degree and check.

Food kept in the fridge compartment drawers are freezing.

- The fridge temperature might have been adjusted to a very low temperature. Adjust the fridge temperature to a warmer degree and check.

Temperature in the fridge or freezer is very high.

- The fridge temperature might have been adjusted to a very high degree. Fridge adjustment has an effect on the temperature of the freezer. Change the temperature of the fridge or freezer until the fridge or freezer temperature reaches to a sufficient level.
- Doors might have been opened frequently or left ajar for a long time; open them less frequently.
- Door might have been left ajar; close the door completely.
- Large amount of hot food might have been put in the refrigerator recently. Wait until the fridge or freezer reaches the desired temperature.
- The refrigerator might have been plugged in recently. Cooling down of the refrigerator completely takes time.

The operation noise increases when the refrigerator is running.

- The operating performance of the refrigerator may change due to the changes in the ambient temperature. It is normal and not a fault.



Vibrations or noise.

- The floor is not even or it is weak. The refrigerator rocks when moved slowly. Make sure that the floor is strong enough to carry the refrigerator, and level.
- The noise may be caused by the items put onto the refrigerator. Items on top of the refrigerator should be removed.

There are noises coming from the refrigerator like liquid spilling or spraying.

- Liquid and gas flows happen in accordance with the operating principles of your refrigerator. It is normal and not a fault.

There is a noise like wind blowing.

- Fans are used in order to cool the refrigerator. It is normal and not a fault.

Condensation on the inner walls of refrigerator.

- Hot and humid weather increases icing and condensation. It is normal and not a fault.
- Doors might have been left ajar; make sure that the doors are closed fully.
- Doors might have been opened frequently or left ajar for a long time; open them less frequently.

Humidity occurs on the outside of the refrigerator or between the doors.

- There might be humidity in the air; this is quite normal in humid weather. When the humidity is less, condensation will disappear.

Bad odour inside the refrigerator.

- Inside of the refrigerator must be cleaned. Clean the inside of the refrigerator with a sponge, lukewarm water or carbonated water.
- Some containers or package materials might cause the smell. Use a different container or different brand packaging material.

The door is not closing.

- Food packages may prevent the door's closing. Replace the packages that are obstructing the door.
- The refrigerator is not completely upright on the floor and rocking when slightly moved. Adjust the elevation screws.
- The floor is not level or strong. Make sure that the floor is level and capable to carry the refrigerator.

Crispers are stuck.

- The food might be touching the ceiling of the drawer. Rearrange food in the drawer.

## 请首先阅读本手册!

亲爱的顾客，

我们的产品使用先进设备生产，并通过严格的质量控制步骤检测，希望为您提供高效的服务。

因此，建议您在**使用本产品前**仔细阅读本手册，并妥善保管，以备日后参考。




### 本手册

- 帮助您快速、安全地使用本装置。
- 安装和操作本产品前，阅读本手册。
- 遵循说明，尤其是安全方面。
- 将手册置于触手可及之处，以便随时参考。
- 此外，也请阅读本产品附带的其它文件。

请注意，本手册可能也适用于其它型号。

### 符号及其说明

本手册包含下列符号：

-  重要信息或者有用的使用提示。
-  防止生命和财产危险的警告。
-  电压警告。



本产品带有报废电子电器设备（WEEE）的选择性分类符号。

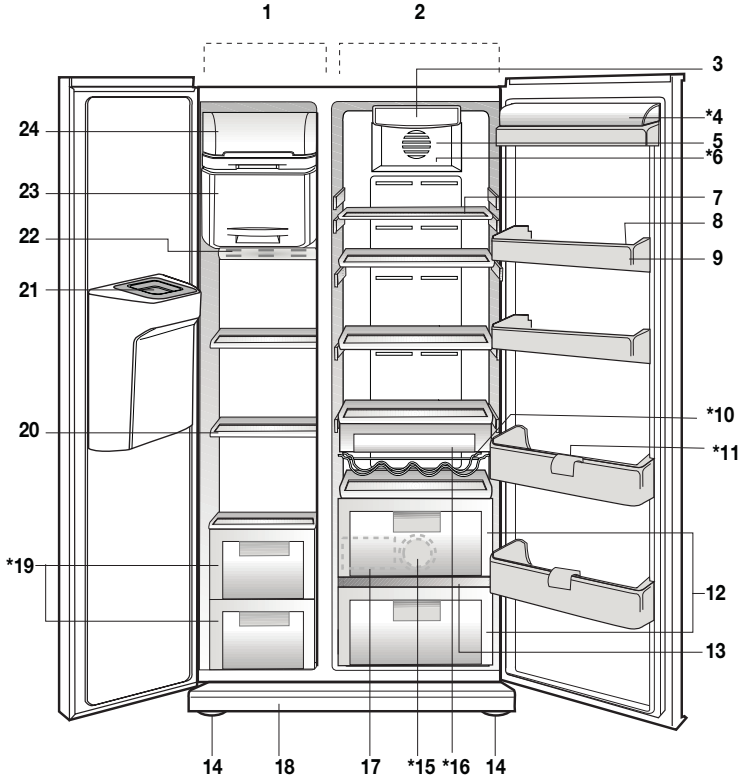
这意味着，本产品必须根据欧洲指令 2002/96/EC 进行处置，以便进行回收或拆解，使其对环境的影响降到最低。欲获取详细信息，请与当地或地区的权利机构联系。

没有包含在选择分类过程中的电子产品由于危险物质的存在，可能对环境 and 人类健康带来威胁。

## 目录

<b>1 关于冰箱</b>	<b>3</b>	<b>4 准备工作</b>	<b>18</b>
<b>2 重要安全警告</b>	<b>4</b>	<b>5 使用冰箱</b>	<b>19</b>
指定使用 .....	4	设置冷藏室温度 .....	20
对于配备饮水机的产品: .....	5	设置冷冻室温度 .....	20
儿童安全 .....	5	新鲜冷冻功能 .....	20
HCA 警告 .....	5	快速制冷功能 .....	20
节能措施 .....	6	闲置按钮 .....	20
新鲜食物区的建议 .....	6	自动经济按钮 (特殊经济按钮) .....	20
<b>3 安装</b>	<b>7</b>	离子化 .....	20
再次运输冰箱时考虑的事项 .....	7	键锁按钮 .....	20
操作冰箱前 .....	7	饮水机灯 .....	21
电气连接 .....	8	水/冰类型选择 .....	21
处置包装 .....	8	冰/水机 .....	21
处置旧冰箱 .....	8	使用冰水机 .....	21
放置和安装 .....	8	结束制冰 .....	21
地板平衡调整 .....	9	使用泉水 .....	22
调整上方门之间的间隙 .....	11	承滴盘 .....	22
安装滤水器 .....	12	蛋托 .....	22
将水管连接到冰箱 .....	13	滑动搁架 .....	22
<b>⚠ 小心: 更换滤水器或者安装旁路的盖子时, 务必始终按下关闭制冰按钮。 .....</b>	<b>15</b>	蓝色光 .....	23
将输水软管连接到水罐 .....	15	离子: .....	23
将水管连接至冷水管线 .....	16	蛋托 .....	23
(仅限某些型号) .....	16	新鲜冷冻室 .....	23
初次使用冰/水机前 .....	17	果蔬盒湿度控制滑块 .....	23
		冷冻食物储藏建议 .....	24
		除霜 .....	24
		更换内部的灯泡 .....	24
		<b>6 维护和清洁</b>	<b>26</b>
		保护塑料表面 .....	26
		<b>6 维护和清洁</b>	<b>27</b>
		保护塑料表面 .....	27
		制冰盒和饮水机 .....	27
		制冷室 .....	27
		<b>7 问题解决建议</b>	<b>28</b>

# 1 关于冰箱



- |              |               |
|--------------|---------------|
| 1. 冷冻室       | 13. 果蔬盖       |
| 2. 冷藏室       | 14. 可调整前部支腿   |
| 3. 冷藏室内部的照明灯 | 15. 蓝色光       |
| 4. 干酪和黄油盖    | 16. 快餐托盘      |
| 5. 风扇        | 17. 贮水器       |
| 6. 离子发生器     | 18. 通风盖       |
| 7. 冷藏室玻璃架    | 19. 冷冻室抽屉     |
| 8. 蛋托        | 20. 冷冻室玻璃架    |
| 9. 冷藏室门架     | 21. 冰导管盖      |
| 10. 葡萄酒箱     | 22. 冷冻室内部的照明灯 |
| 11. 瓶架       | 23. 新鲜冷冻室     |
| 12. 果蔬盒      | 24. 冰盒        |

\*可選

**❶** 本手册中的图片仅为示意性质，可能与您的产品不完全相符。如果主体零件没有包含在您购买的产品当中，表明其适用于其它型号。

## 2 重要安全警告

请遵循下列信息。否则，可能导致受伤或重大损坏。且所有的保修和可靠性承诺将失效。

本装置的使用寿命为 10 年。这是保留本装置正常操作所需备件的期限。

### 指定使用

本产品拟用于

- 室内和封闭的区域，例如，家庭环境；
  - 在封闭的工作环境，例如，店铺和办公室；
  - 在封闭的膳宿设施内，例如，农场，宾馆和膳宿公寓。
- 本产品不得在户外使用。

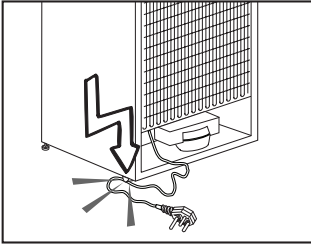
### 一般安全性

- 您想要处置/废弃本产品时，我们建议您咨询授权服务机构，以便了解必要的信息和授权机构。
- 对于与冰箱有关的所有问题和疑问，请咨询授权服务机构。在没有通知授权服务机构前，请勿自行干预或者让他人干预冰箱。
- 请勿立即食用从冷冻室中取出的锥形冰淇淋和方块冰。（这可能导致您的口腔冻伤。）
- 对于配备冷冻室的产品：请勿将瓶装和灌装液体饮料放在冷冻室内。否则，其可能爆裂。
- 请勿用手接触冷冻食物；其可能粘到您的手上。
- 清洁或除霜前，请拔下冰箱插头。
- 切勿在冰箱清洁和除霜过程中使用蒸汽和气化清洁材料。此类情况下，蒸汽可能与电气零件接触，导致短路或触电。
- 请勿使用冰箱上的零件，例如，将冰箱门作为支撑或梯子。
- 请勿使用冰箱内的电气装置。
- 请勿使用钻孔或切割工具损坏零件，制冷剂在这里循环。在蒸发器

的气体通道、管道扩充件或者表面涂层被刺穿后，制冷剂可能流出，导致皮肤受到刺激和眼睛受伤。

- 请勿使用任何材料，覆盖或堵塞冰箱的通风孔。
- 电气设施必须由经授权的人员维修。无资质人员实施的维修会给用户带来危险。
- 如果发生任何故障，或者在实施维护或维修作业的过程中，应当通过关闭相关保险丝或者拔下插头，断开冰箱的电源。
- 拔下插头时，请勿拉拔电缆。
- 放置饮料时，注意盖牢瓶盖，且垂直放置。
- 切勿在冰箱内存放含有易燃和易爆物质的喷雾罐。
- 请勿使用机械装置或者其它手段，加速除霜过程，除非制造商建议这样做。
- 本装置并非设计供体力、感知力或脑力下降或经验和知识缺乏的人士（包括孩子）使用，除非有负责他们安全的人员给出有关装置之使用的监督或指导。
- 请勿操作受损的冰箱。如果有任何问题，请咨询维修代理。
- 只有您家中的接地系统符合标准时，才能担保冰箱的电气安全。
- 本产品淋雨、落雪、受到阳光照射和风吹在电气安全方面是危险的。
- 在电源线损坏时，请致电授权服务中心，以免发生任何危险。
- 安装过程中，切勿将冰箱的插头插入壁式插座。否则，可能出现严重的人身伤亡。
- 冰箱仅用于存放食物。其不得用于任何其它目的。
- 技术规范标签位于冰箱内左壁。
- 请勿将冰箱连接至节能系统，否则，可能导致冰箱受损。
- 如果冰箱配备有蓝色灯，请勿通过光学装置查看蓝光。

- 对于手动控制的冰箱，在发生电力故障后，请至少等待 5 分钟，才可以重新启动冰箱。
- 如果转让本产品，应当连同该操作手册一同移交给新用户。
- 运输冰箱时，避免导致电源线损坏。弯曲电缆可能导致起火。切勿在电源线上放置重物。为本产品插入插头时，请勿用潮湿的手接触插头。



- 如果壁式插座松脱，请勿连接冰箱插头。
- 出于安全的原因，请勿将水直接喷到本产品内部或外部的零件上。
- 请勿在冰箱附近喷洒含有易燃气体的物质，例如，丙烷气，以免发生起火或爆炸之危险。
- 切勿将充满水的容器放在冰箱顶部，否则，可能导致触电或起火。
- 冰箱不可装入过多的食物。如果过度装满，在您打开冰箱门时，食物可能掉落，导致您受伤和冰箱受损。请勿在冰箱顶部放置物体，在打开或关闭冰箱门时，其容易掉落下来。
- 请勿在冰箱内存放要求精确温度的物品（疫苗、对温度敏感的药品，科学材料等）。
- 如果长时间不使用冰箱，应当拔下插头。电源线可能存在的问题会导致起火。
- 应定期清洁插头尖；否则，可能导致起火。
- 应定期使用干抹布清洁插头尖；否则，可能导致起火。
- 如果可调支腿没有适当固定在地面上，冰箱可能移动。在地面上适当

固定可调支腿可以防止冰箱移动。

- 移动冰箱时，请勿在门把手上用 力。否则，其可能折断。
- 必须将该产品与其它冰箱或制冷器并排放置时，这些装置之间的距离至少应为 8cm。否则，相邻的侧壁可能会出现冷凝水。

## 对于配备饮水机的产品：

水源的压力应至少为 1 巴。水源的压力最高为 8 巴。

- 只能使用饮用水。

## 儿童安全

- 如果门上有锁，钥匙应置于儿童不可及之处。
- 必须看管儿童，以免其摆弄本产品。

## HCA 警告

如果本产品的制冷系统含有 R600a：此气体易燃。因此，在使用和运输过程中，注意不要损坏制冷系统和管道。如果发生损坏，本产品应远离可能导致着火的潜在火源，并给其所在的房间通风。

如果本产品的制冷系统含有 R134a，可以忽略该警告。

本产品中使用的气体类型在位于冰箱内部左壁上的铭牌上注明。

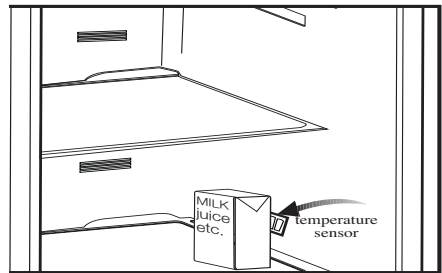
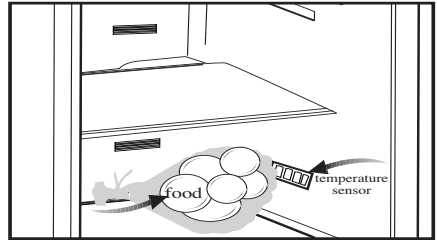
废弃该产品时，请勿将其投入火中。

## 节能措施

- 请勿长时间敞开冰箱门。
- 请勿在冰箱内放置灼热的食物或饮料。
- 冰箱不可过载，以致妨碍内部的空气循环。
- 请勿在受到阳光直射或者靠近发热装置（例如，烤箱、洗碗机或暖气）的位置安装冰箱。
- 注意在封闭的容器内保存食品。
- 对于配备冷冻室的产品；在拆下冷冻室的搁架或抽屉后，可以在冰箱的冷冻室放置最大数量的食物。声明的冰箱能耗值是在拆卸了冷冻室搁架或抽屉，并在放入最大数量的食物后确定的。根据要冷冻的食物形状和大小使用搁架或抽屉是安全的。
- 在冷藏室为冷冻的食物解冻具有节能的效果，并可以有效保持食品质量。

## 新鲜食物区的建议

- 注意任何食物均不得接触新鲜食物区的温度传感器。为了新鲜食物区保持理想的贮存温度，食物不可遮挡传感器。
- 请勿在冰箱内放置灼热的食物。



### 3 安装

**❶** 请注意，如果没有遵循本手册中的信息，制造商对于发生的损害不承担任何责任。

#### 再次运输冰箱时考虑的事项

1. 在任何运输前，冰箱必须清空和保持清洁。
2. 重新包装前，冰箱内的搁板、附件、新鲜蔬菜保存盒等必须用胶带牢牢固定，防止摇晃。
3. 包装必须使用厚胶带和粗大的绳子扎紧，并遵循包装上印刷的运输规则。

**❶** 请始终牢记.....

每种回收材料对于大自然和我们国家的资源而言都是不可缺少的。

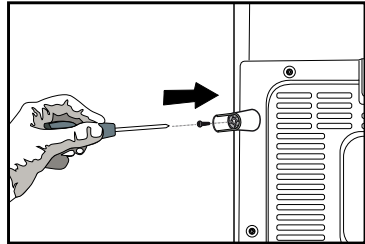
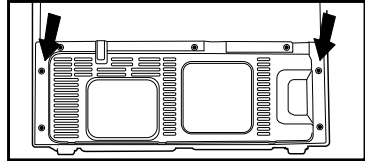
如果您希望对回收包装材料有所作为，可以从环境机构或者当地权力部门获取详细信息。

#### 操作冰箱前

开始使用冰箱前，检查下列内容：

1. 冰箱内部是否干燥，和空气能否在冰箱后面自由流通？

2. 按照“维护和清洁”章节中的建议，清洁冰箱内部。
3. 将冰箱插头插入壁式插座。冰箱门打开时，内部相关的灯会亮起。
4. 在压缩机启动时，您将听到一个声音。即使压缩机没有运转，制冷系统中密封的液体和气体也可能产生噪声，这是正常的。
5. 可能感觉到冰箱的前边温度升高。这是正常的。这些区域设计保持温暖，以免发生冷凝。





## 电气连接

将冰箱连接至由适当容量之保险丝保护的接地插座。

重要信息：

- ⚠ 连接必须符合国家规定。
- ⚠ 安装后，电源线插头必须触手可及。
- ⚠ 电压和允许的保险丝保护在“技术规格”章节中指定。
- ⚠ 指定的电压必须等于电源电压。
- ⚠ 连接时，请勿使用扩充电缆和多路插头。
- ⚠ 受损的电源线必须由具备资格的电工更换。
- ⚠ 本装置在维修妥当前，切勿操作！有触电的危险！

## 处置包装

⚠ 包装材料可能给儿童带来危险。将包装材料置于儿童不可及之处，或者根据垃圾说明进行分类和处置。请勿随日常生活垃圾一起处置。

冰箱的包装使用可回收材料制成。

## 处置旧冰箱

处置旧冰箱时，请不要给环境带来任何危害。

⚠ 有关冰箱的处置，您可以咨询授权经销商或者市政部门的垃圾收集中心。

⚠ 处置冰箱前，请切断电源插头，而且，如果门上有锁的话，请务必使之不可用，以免儿童有任何危险。

## 放置和安装

⚠ 小心：安装过程中，切勿将冰箱的插头插入壁式插座。否则，可能出现严重的人身伤亡。

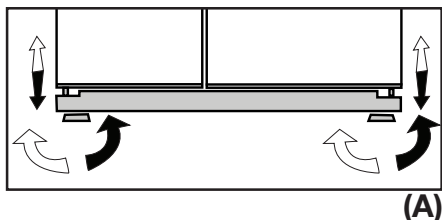
⚠ 如果安装冰箱之房间的房门不够宽，以致冰箱无法通过，可以致电授权服务机构，请他们拆下冰箱门，并侧着穿过房门。

1. 将冰箱安装在方便使用的位置。
2. 冰箱应远离热源和潮湿的场所并避免受到阳光直射。
3. 在冰箱周围必须有适当的通风，以便获得高效的操作。如果冰箱放置在墙壁内的凹口，距离天花板和墙壁必须至少 5 cm。  
如果地板上覆盖有地毯，本产品必须从地面升高 2.5 cm。
4. 将冰箱放置在平坦的地板表面，防止晃动。
5. 请勿将冰箱置于低于 10° C 的环境温度。

## 地板平衡调整

如果冰箱失衡：

您可以如图所示，转动其前部的支腿，使冰箱平衡。（参见图 A）在黑色箭头的方向转动时，支腿所在的一角降低，在相反的方向转动时，其升高。由他人协助您轻微抬高冰箱将方便这一过程的实施。

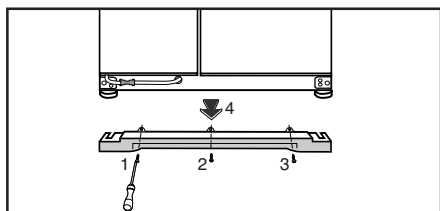


(A)

## 冰箱门高度调整

如果冰箱门不能相互对准，可以通过按照下列顺序，对垂直高度进行调整。调整冰箱门高度时，请清空门上的搁架。

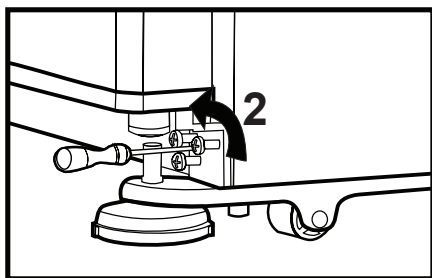
1. 如下图所示，松开螺丝，拆卸下方的通风盖。（参见图 B）



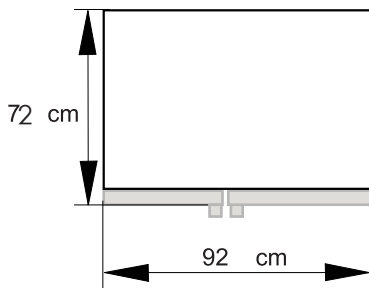
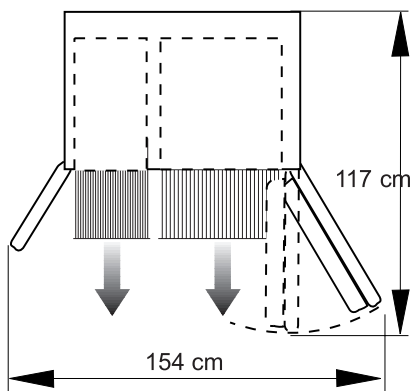
(B)

2. 如下图所示，使用螺丝刀，松开您想升高之较低冰箱门铰链上的三个螺丝。（请勿完全拆卸下来）

（参见图 C）

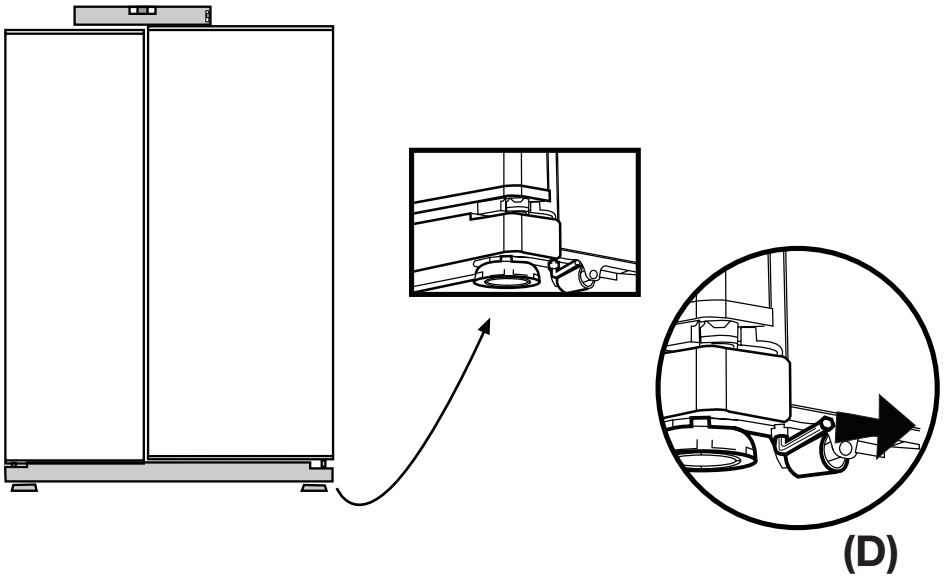


(C)



- 如果冷冻室的门比冷藏室的门低，使用 M6 内六角扳手，在箭头方向，转动冷冻室侧的高度螺丝，使两者位于相同的高度，如图 D 所示。
- 如果冷冻室的门比冷藏室的门高，使用 M6 内六角扳手，在箭头方向，转动冷冻室侧的高度螺丝，使两者位于相同的高度，如图 D 所示。

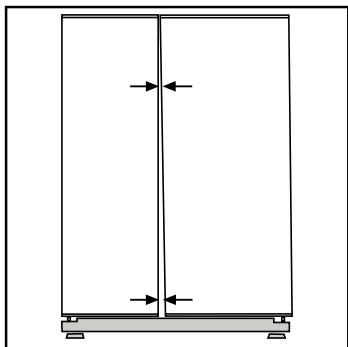
通过借助高度螺丝升高前部使冰箱门位于相同的高度后，应当适当关闭冰箱门。如果冰箱门没有适当关闭，这可能对冰箱的效率产生不良影响。



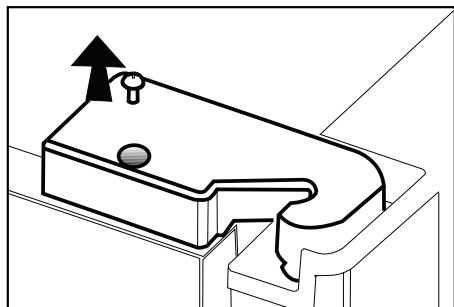
## 调整上方门之间的间隙

❶ 您可以如图所示，调整冷藏室门的间隙。

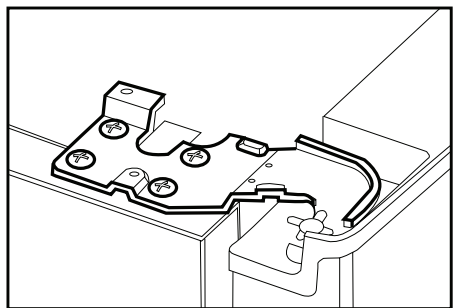
调整门高度时，门上的搁架应当空置。



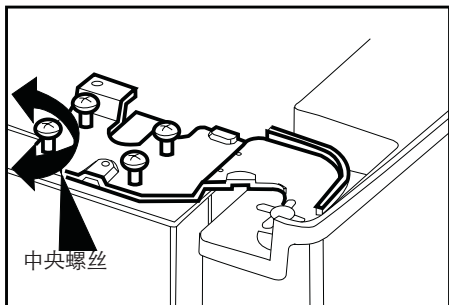
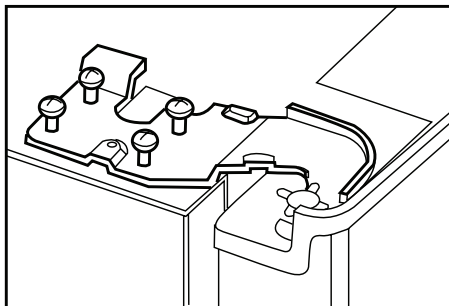
❷ 使用螺丝刀，拆卸您想要调整之门的上方铰链盖的螺丝。



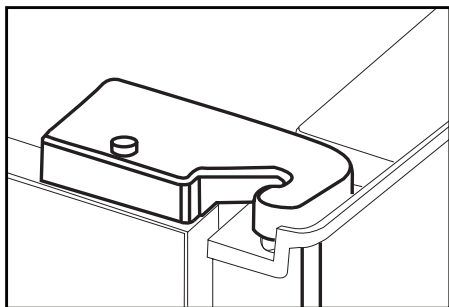
❸ 通过松开螺丝，根据需要，适当调整冰箱门。



❹ 通过上紧螺丝，固定您调整的门，而不变换门的位置。



❺ 放回铰链盖和使用螺丝固定之。



## 安装滤水器

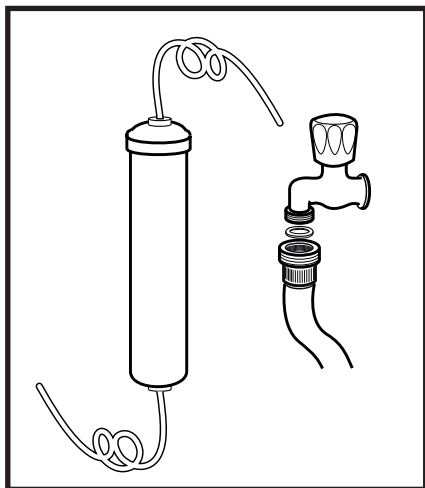
(仅限某些型号)

### 安装要求

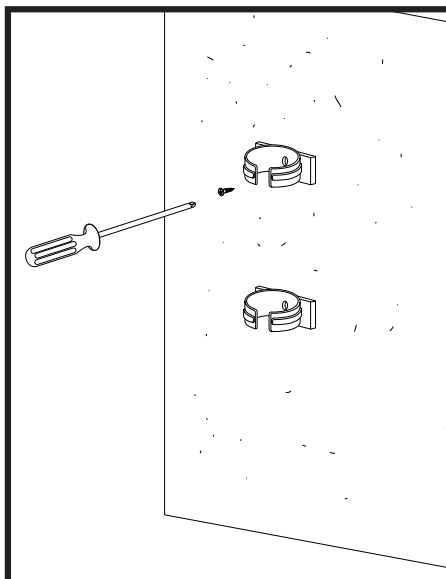
可以在冰箱连接两个不同的水源，用于供水：自来水和水罐中的水。

使用水罐中的水时，应该使用一个水泵。

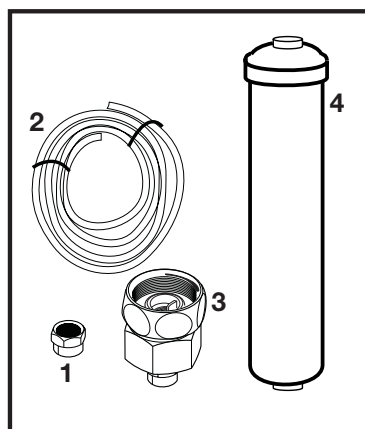
检查和确定冰箱配备了下列零件。

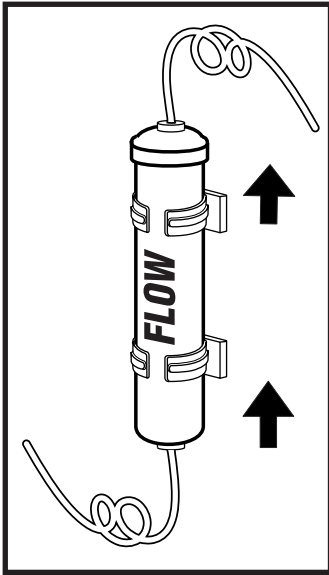


1. 用于将水管连接到冰箱后部的管接头。（如果其不合适，可以就近从授权服务部门获得。）



2. 5米长水管（直径 1/4 英寸）
3. 冷水阀及网式过滤器（水龙头转接件）
4. 滤水器或可在外部连接的过滤器安装在冷藏室里面的支架上。

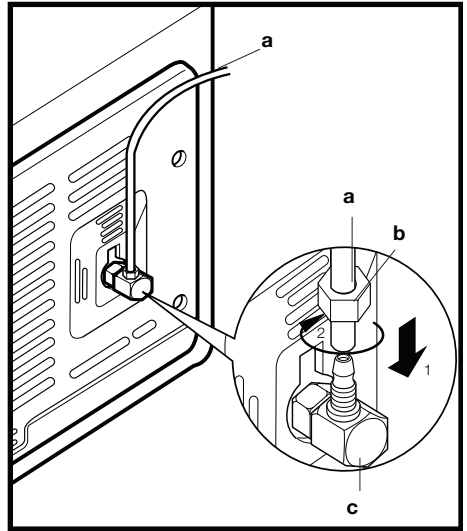




应当首先决定安装外部过滤器的位置。（适用于在冰箱外部使用的过滤器。）之后，确定过滤器与冰箱之间的距离以及过滤器与冰箱进水管之间要求的软管长度。

滤水器应当如图所示直立放置。适当地将滤水器连接到进水和出水点至关重要。

连接了滤水器后，请勿使用最初的 3-4 杯水。



### 冰箱水接头 请遵循下列说明。 将水管连接到冰箱

1. 将管接头安装到水管后，用力向下按水管，将其插入冰箱进水阀。
2. 如对面的插图所示，安装管接头，方法是，用手挤压水箱的进水阀。

（a- 水管，b-管接头，c-阀门）

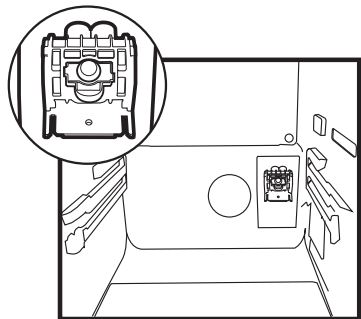
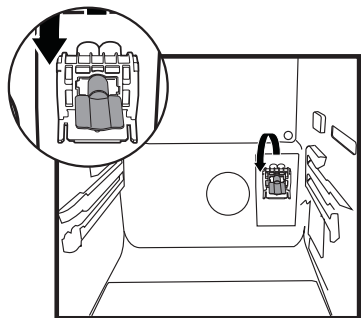
**ⓘ 注意 1:** 您不需要使用工具拧紧管接头，就可以确保装置不漏水。如果漏水，使用扳手或者钳子拧紧管接头。

安装滤水器时，请遵循下列说明，并参照附图：

1. 按下显示屏上的取消冰按钮。



2. 向下旋转滤水器旁路的盖子，取出之。

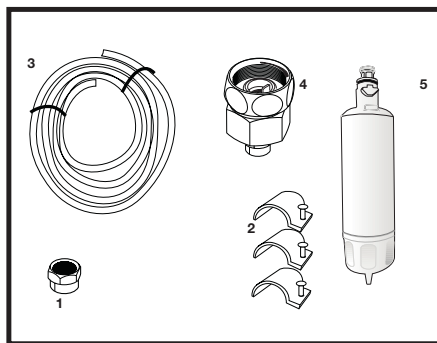


⚠ 小心：取出旁路的盖子前，确保“关闭制冰”模式活动。

注意：取下盖子后，有一些水滴下来是正常的。

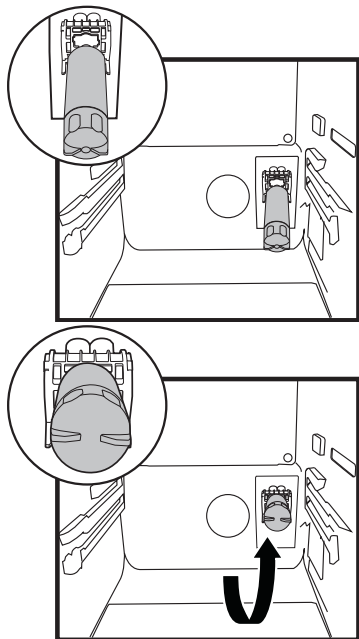
3. 拆下滤水器顶部的盖子，如图所示放置，并向上转动，锁定之
4. 再次按下显示屏上的取消制冰按钮，退出该模式。

滤水器应当每 6 个月更换一次。在打算更换滤水器，或者不再使用滤水器时，必须如图所示，进行拆卸，并必须安装旁路的盖子。取出滤水器前，请务必确保关闭制冰模式活动。

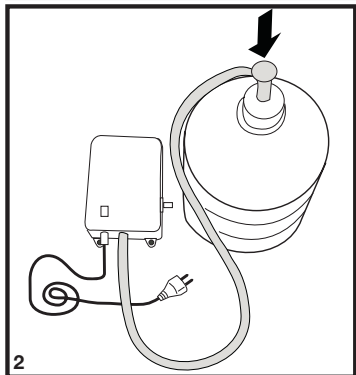
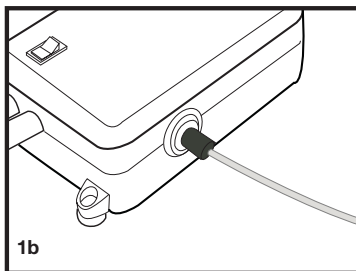
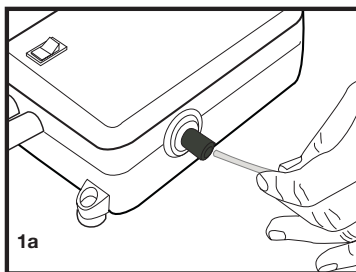


**⚠ 小心：** 滤水器可以清洁掉水中的一些异物。其不会净化掉水中的微生物。

**⚠ 小心：** 更换滤水器或者安装旁路的盖子时，务必始终按下关闭制冰按钮。



**ⓘ 注意：** 连接水管时，您需要参照水泵的用户手册。



## 将输水软管连接到水罐

(仅限某些型号)

若要将水从水罐连接到冰箱，需要一台水泵。将连接泵的水管一端按照前一页上的说明连接到冰箱后，请遵循下列说明。

1. 如图所示，将水管的另一端按压到水泵的进水管中，即可完成连接。
2. 将水泵的软管放入水罐，并固定住，如图所示。
3. 完成连接后，插入水泵的电源插头，并运转之。

为了确保水泵高效操作，在启动水泵后，等待 2-3 分钟。



## 将水管连接至冷水管线

(仅限某些型号)

如果您想要将冰箱连接到冷水管线，需要将标准的 1/2" 阀门配件连接到家中的自来水。如果没有这一阀门，亦或您不确定，可以咨询有经验的水管工。

1. 从水龙头转接件隔离管接头。(图 A)
2. 如图所示，将水龙头转接件 1/2" 阀门配件。(图 B)
3. 将水管插入管接头后，将其安装到水龙头转接件，并插入水龙头，如图所示。(图 C)
4. 用手上紧管接头。如果漏水，使用扳手或者钳子拧紧管接头。

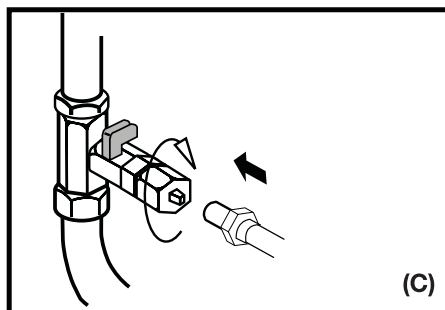
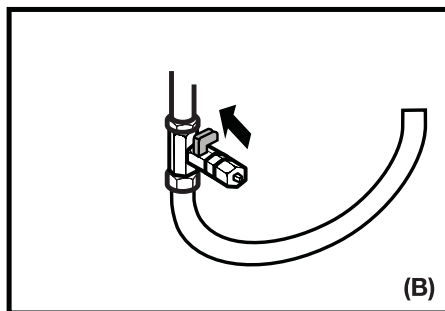
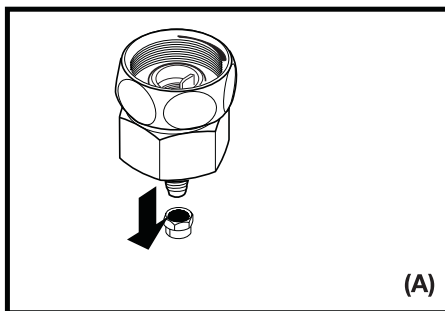
⚠ 小心：使用附带的管夹，将水管固定到适当的点，以免移动或者意外断开连接。

⚠ 小心：打开水阀后，确保水管的两个连接点没有漏水。如果漏水，立即关闭阀门，并使用扳手或钳子，再次上紧所有接头。

⚠ 小心：确保连接自来水的 1/2" 阀门配件可用，并完全关闭。

注意-1：使用水罐时，不需要使用滤水器。

注意-2：将要使用水罐时，必须使用水泵。



## 初次使用冰/水机前

- ❶ 总水管压力切勿低于 1 巴。
- ❶ 总水管压力切勿超过 8 巴。
- ❶ 在给水压力下降低于 1 巴或者将要使用水罐时，必须使用水泵。
- ❶ 冰箱的水系统必须连接到冷水线。其切勿连接到热水线。
- ❶ 在初次操作冰箱时，可能无法获得水。这是因为系统中存在空气。若要排放出系统中的空气，按下饮水机插销 1 分钟，直至有水从饮水机流出。开始时，水流可能不规则。在排空系统中的空气后，水流将正常。
- ❶ 在初次启动冰箱后，需要大约 12 小时的时间，才能获得冷水。
- ❶ 若要正常操作冰/水机，总水管压力必须介于 1-8 巴之间。对此，检查

和确定可以在 10 秒钟内充满一玻璃杯 (100 cc) 水。

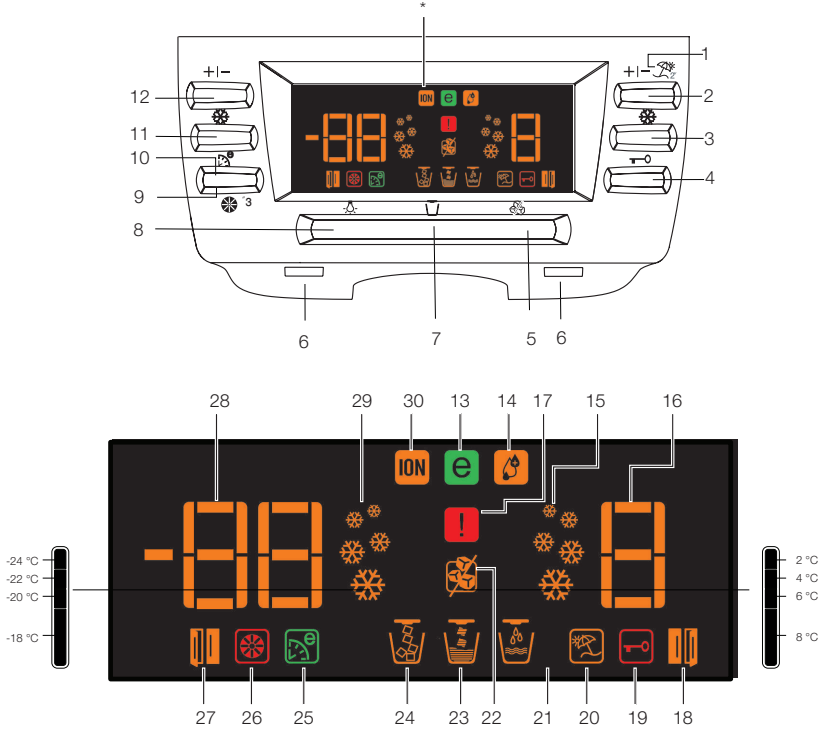
- ❶ 请勿饮用最初的 10 杯水。
- ❶ 初次从出冰机获得冰块需要 12 小时。如果出冰机中没有足够的冰，可能无法从出冰机获得冰块。
- ❶ 请勿使用初次从出冰机获得的大约 30 立方冰块。
- ❶ 不使用水罐时，请务必始终使用滤水器。

## 4 准备工作

---

- ❗ 冰箱的安装位置距离热源（例如，炉圈、烤箱、中央加热器和炉灶）至少 30 cm，距离电烤箱至少 5 cm，且不得受到阳光直射。
- ❗ 安装冰箱的房间温度至少为 10° C。考虑到冰箱的效率，不建议在比这凉爽的条件下操作冰箱。
- ❗ 请务必彻底清洁冰箱的内部。
- ❗ 如果并排安装两台冰箱，必须至少间隔 2 cm。
- ❗ 初次操作冰箱时，在最初的六个小时内，请遵循下列说明。
  - 不应经常打开冰箱门。
  - 必须在里面没有任何食物时空置操作。
  - 请勿拔下冰箱的插头。如果发生的电力故障不在您控制范围内，请参见“问题解决建议”章节中的警告。
- ❗ 应当妥善保管原始包装和泡沫材料，以备日后运输或移动。

## 5 使用冰箱



1. 冷藏室设置按钮
2. 闲置模式按钮
3. 快速冷藏按钮
4. 键锁按钮
5. 结束制冰按钮
6. 饮水机灯
7. 冰 / 水选择按钮
8. 饮水机灯按钮
9. 过滤器重置按钮
10. 自动经济按钮
11. 快速冷冻按钮
12. 冷冻室设置按钮

13. 经济模式指示灯
14. 高湿度指示灯
15. 快速制冷指示灯
16. 冷藏温度设置指示灯
17. 高温/错误警告指示灯
18. 冷藏室门打开指示灯
19. 键锁指示灯
20. 闲置模式指示灯
21. 水指示灯
22. 无冰指示灯
23. 碎冰指示灯
24. 方块冰指示灯
25. 自动经济指示灯
26. 过滤器重置指示灯
27. 冷冻室门打开指示灯
28. 冷冻室温度设置指示灯
29. 快速冷冻指示灯
30. 离子化指示灯

可选

16. 冷藏温度设置指示灯

冷冻室调整	冷藏室调整	解释
-15°C	4° C	这是建议的正常设置。
-18、-21 或 -24°C	4° C	在环境温度超过 30° C 时，建议使用这些设置。
新鲜冷冻	4° C	在您希望快速冷冻食物或者制冰时，使用之。在这一过程结束后，冰箱将恢复之前的模式。
-15° C 或更低温度	2°C	如果您认为，由于高温条件或者经常打开和关闭冰箱门，导致冷藏室不够冷，可以调整这些数值。
-15° C 或更低温度	快速制冷	在冷藏室过载，或者您希望快速冷却食物时，可以使用之。

## 设置冷藏室温度

冷藏室温度可以设置为如下温度：  
8、6、4 和 2° C。

按下“冷藏室设置按钮”进行修改。温度每次下降 2° C。每次您按下按钮时，温度将下降，之后返回最高设置。在要求的温度释放，将保存新设置的温度。

如果您感觉食物温度太低，可以将冷藏室的温度设置调整为 6 或 8。

## 设置冷冻室温度

冷冻室温度可以设置为如下温度：-15 / -18 / -21 / -24 和 -24° C

按下“冷冻室设置按钮”进行修改。温度每次下降 2° C。每次您按下按钮时，温度将下降，之后返回最高设置。在要求的温度释放，将保存新设置的温度。

## 新鲜冷冻功能

在您按下“新鲜冷冻”按钮时，压缩机将至少运转大约 14 小时。新鲜冷冻指示灯将亮起。若要取消该功能，再次按下“新鲜冷冻”功能。“新鲜冷冻”指示灯将熄灭，并恢复正常设置。如果没有取消，在大约 12 小时后，新鲜冷冻功能将自动取消。

如果您想冷冻大量的新鲜食物，将食物放入冷冻室前 14 小时，按下“新鲜冷冻”按钮。

## 快速制冷功能

在您按下“快速制冷”按钮时，这里的温度比调整的数值要冷。该功能可以用于放置在冷藏室中的食物，并根据需要快速制冷。

按下“快速制冷”按钮后，快速制冷指示灯将亮起。若要取消该功能，再次按下“快速制冷”按钮。“快速制冷”指示灯将熄灭，并恢复正常设置。如果您不取消，“快速制冷”功能将自动取消。

## 闲置按钮

如果长时间不使用冷藏室，可以按下“闲置”按钮，取消使用冷藏室。通过这种方式，冰箱可以更经济地工作。按住“闲置按钮”3 秒钟，激活该功能。在该功能活动时，冷藏室的门必须保持关闭，且不得有食物留在冷藏室内。

## 自动经济按钮（特殊经济按钮）

“按下自动经济”按钮时，“自动经济功能”将活动。选择该功能时，如果冷藏室门长时间保持关闭，冷藏室将自动切换为更经济的操作模式，以节约电能。再次按下“自动经济”按钮时，该功能取消。

## 离子化

离子化有助于净化冷藏室的空气，并自动实施。

## 键锁按钮

按下该按钮 3 秒钟时，键锁启动，所有按钮和饮水机开口将不工作。如果您希望取消盘锁，再次按下 3 秒钟。

## 饮水机灯

按下灯按钮时，饮水机灯将亮起，在再次按下该按钮时，灯熄灭。按下饮水机开口时，该灯也会亮起，在释放开口后不久，灯将熄灭。

## 水/冰类型选择

使用饮水机选择按钮时，可以选择“水”、“方块冰”或“碎冰”选项。

## 冰/水机

通过使用三个不同的功能，冰水机可以有效满足您对冷水、方块冰和碎冰的需要，而不必打开冰箱门。这是连续的冷水和冰块供应源，不必加水。使用友好型控制面板，提供下列配送功能：

注意：

- 每次使用时，最长可以在 90 秒内配送水或冰。

- 冷冻室门打开时，冰水机将不工作。



方块冰



碎冰



冷水

## 使用冰水机

❶ 请注意，在接通电源后的 12 小时，才可以制备好第一批方块冰。

如果您不需要冰，例如，在冬季或者您外出度假，可以选择结束制冰功能。

❷ 制冰装置在 24 小时大约可以制备 110 个冰块，根据打开冰箱门的频率、冰箱设置和功率输出，该数量可能有所不同。制备的冰可以作为方块冰或碎冰提供。

从冰水机获得碎冰的时间比获取方块冰的时间长是正常的，此外，选择方块冰选项前，如果选择了碎冰选项，在方块冰落下前，流出一些碎冰也是正常的。

❸ 如果冰水机长时间未使用，或在断电后，冰可能形成大块，或冰的气味发生变化，如果是这样，必须从废弃冰块，并彻底清洁冰盒。

### 警告

❹ 不得在冰水机盒中添加冰。这可能对冰供应或碎冰造成不利影响。

⚠ 在冰盒中，有一部分方块冰粘在一起是正常的。

⚠ 请勿接触冰水机冰出口外壳中移动的零件，例如，刀片，以免受伤。

⚠ 切勿使用锋利的物体敲击冰盒中的冰。这可能导致冰盒损坏。

⚠ 请勿在冰盒内放置食物，试图快速制冷。

⚠ 出于任何原因必须拆除冰盒时，首先，必须按下“结束制冰”按钮。

## 结束制冰

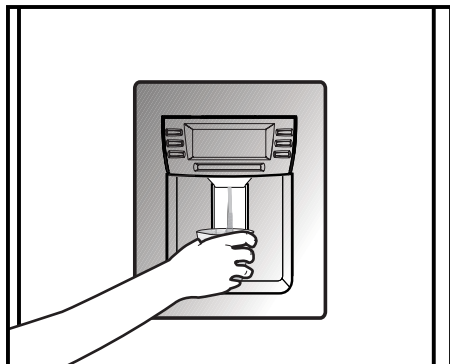
❶ 停止制冰时，按下“结束制冰”按钮。选择“结束制冰”时，将没有水进入制冰盒。但是，可以从冰水机取出之前制作的冰。若要重新开始制冰，必须再次按下“结束制冰”按钮。

警告：如果您不使用冰水机，请记得在冷冻室内的环上放入冰导管盖。（请参见“您的冰箱部分”。）

## 过滤器重置按钮：

滤水器应当每 6 个月更换一次。如果滤水器需要更换，过滤器重置指示灯亮起。按下“过滤器重置”按钮 3 秒钟，取消滤水器重置指示灯警告。

## 使用泉水



### 警告

最初从饮水机接出的几杯水没有降温是正常的。

如果不经常使用饮水机，必须从饮水机排出足量的水才能得到新鲜的水。

### 承滴盘

使用过程中滴落的水珠收集在承滴盘中。您可以取下承滴盘，方法是，向外拉或者按压其边缘（取决于型号）。可以使用海绵或柔软的抹布清除收集的水。



## 蛋托

您可以在冰箱门或者支架上安装蛋托。

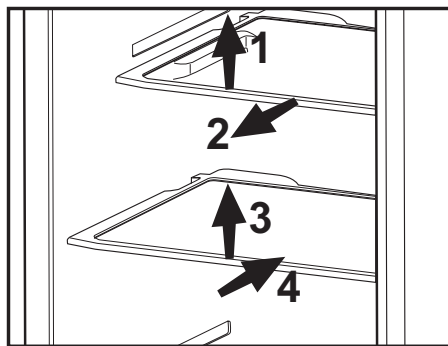
切勿将蛋托置于低温室

## 滑动搁架

滑动搁架可以略微从前部抬高进行拉动，和前后移动。在向前拉动至允许您触及放在搁架后部的食物时，其达到一个停止点；在第二个停止点略微向上抬起进行拉动时，搁架将被释放。

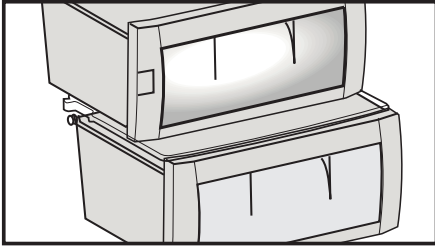
搁架应当牢牢地从底部固定，并防止其翻倒。搁架放置在冰箱侧面的导轨上，可以前进到上方或下方的不同高度。

应当向后推搁架，使之完全固定。



## 蓝色光

在新鲜蔬菜保存盒中储存的食物使用蓝色光照射，通过蓝色光的波长效应，继续它们的光合作用，从而保持其新鲜度和增加维生素含量。



## 果蔬盒湿度控制滑块

冰箱的新鲜蔬菜保存盒专门设计保持蔬菜的新鲜度，而不会失去水分。冷空气基本在果蔬盒周围循环，穿过果蔬盒的冷空气数量由果蔬盒盖前侧的滑块控制。

您可以根据果蔬盒中食物的湿度和冷却条件，将湿度控制滑块调整到合适的位置。

如果您希望果蔬盒中的食物进一步冷却，打开湿度控制滑块的孔；反之，如果您希望减轻冷却程度，并将湿度保持较长时间，关闭上面的孔。

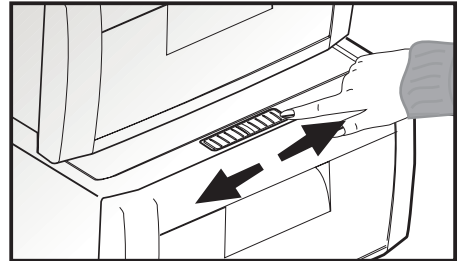
## 离子：

空气通过冷藏室空气导管中的离子发生器系统进行电离。该系统可以去除空气中含有的细菌和微粒。

## 蛋托

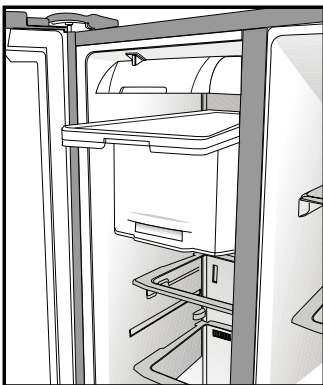
您可以在冰箱门或者支架上安装蛋托。

切勿将蛋托置于低温室



## 新鲜冷冻室

这一格可以快速冷冻食物，并保持食物的味道和营养价值。





## 冷冻食物储藏建议

• 从市面上购得的包装好的冷冻食物应当根据冷冻食物制造商的 **\*\*\*\*** (4星) 冷冻室说明储藏。

• 为了保持冷冻食物制造商和食品零售商获得的高品质，应该牢记下列事项：

1. 在购买后，尽快将食物放入冷冻室。
2. 确保贴上食物标签，并注明日期。
3. 请勿超出包装上的“使用截止”和“最佳食用”日期。

如果发生电力故障，请勿打开冰箱门。即使断电持续至“型号”标签（位于冰箱内部的左侧）中指定的时间，冷冻食物也不会受到影响。如果断电时间较长，必须检查食物，并在必要时，立即食用食物，或者在烹调后冷冻。

## 除霜

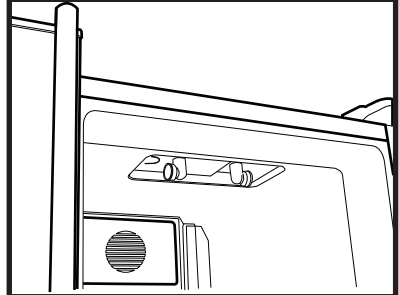
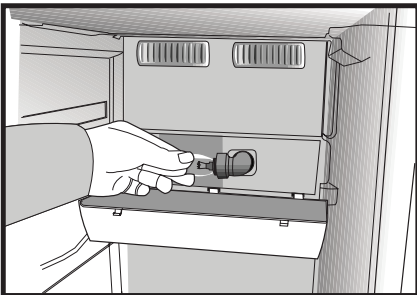
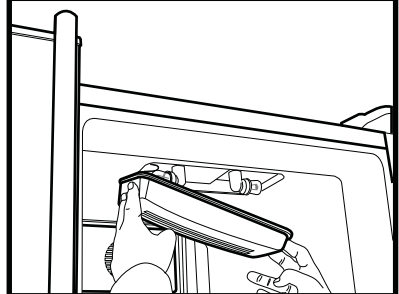
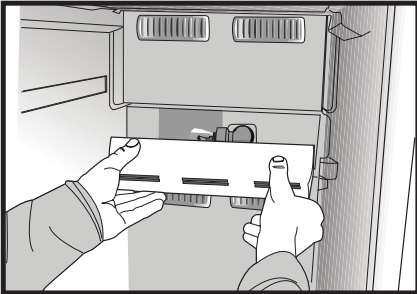
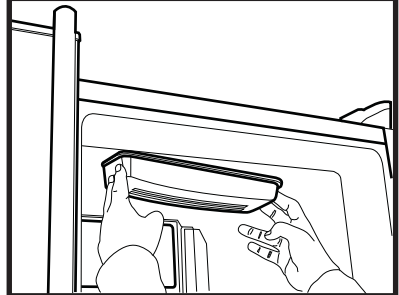
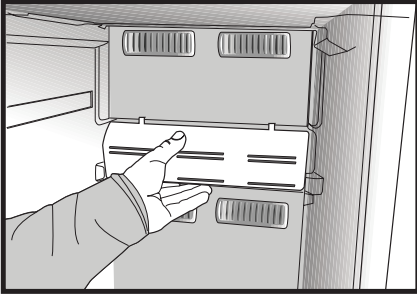
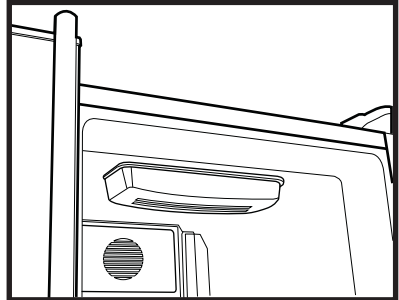
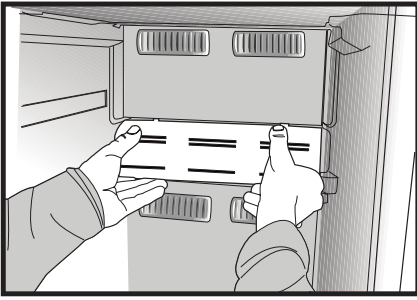
冷藏室和冷冻室自动除霜。

## 更换内部的灯泡

如果灯泡不工作，采取下列措施：

1. 关闭插座，并拔下电源插头。拆下所有搁架和抽屉，以便接近灯泡。
2. 冷冻室和冷藏室部分的灯罩通过用手按压的方式打开：首先释放一端，然后按下两端松开另一端，如图所示。
3. 首先，通过确保灯泡牢牢旋在灯座中，确定其没有松脱。重新插上插头，并接通电源。如果灯泡亮起，通过插入后面的接线片，并向上推，放置前面的两个接线片，重新安装灯罩。
4. 如果灯泡仍没有亮起，关闭插座，并拔下电源插头。更换上新的 15 瓦（最大）螺旋盖 E14 (SES) 灯泡。
5. 立即仔细处置烧坏的灯泡。

新灯泡可以很容易从当地的设备商店或者 DIY 店铺购得。



## 6 维护和清洁

- ⚠ 清洁时，切勿使用汽油、苯或类似物质。
- ⚠ 我们建议您在清洁前，拔下本装置的插头。
- ⚠ 清洁时，切勿使用任何锋利的研磨器具，肥皂、家用清洁剂、洗涤剂 and 蜡光剂。
- ℹ 使用温水清洁冰箱的外壳，并擦干。
- ℹ 在一品脱水中放入一茶匙小苏打，使用这一溶液清洗抹布，用绞干的抹布清洁冰箱内部，并擦干。
- ⚠ 确保没有水进入灯罩和其它电气零件。
- ⚠ 如果长时间不使用冰箱，拔下电源线，取出所有食物，清洁之，并使冰箱门微开。
- ℹ 定期检查门密封情况，确保其清洁，和没有食品颗粒。
- ⚠ 若要拆卸门架，取出所有内容物，然后简单地从底部向上推门架即可。

### 保护塑料表面

- ℹ 请勿将非密封容器中盛放的液体油或者用油烹饪的食物放入冰箱，这类食物可能损坏冰箱的塑料表面。如果食用油喷溅或者涂抹在塑料表面上，立即用温水，清洁和洗涤表面的相关部分。

## 维护和清洁

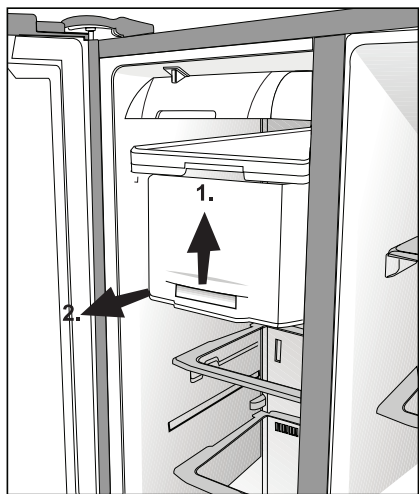
- ⚠ 清洁时，切勿使用汽油、苯或类似物质。
- ⚠ 我们建议您在清洁前，拔下本装置的插头。
- ⚠ 清洁时，切勿使用任何锋利的研磨器具，肥皂、家用清洁剂、洗涤剂 and 蜡光剂。

## 制冰盒和饮水机

- ① 按照下列步骤和警告清洁制冰盒：
  - ⚠ 拆下制冰盒，方法是首先抬高，之后想外拉，如图所示。
  - ⚠ 清空制冰盒里面的冰（如果有）。若要取出冻住的冰块，请使用不锋利的工具，以免给制冰盒造成任何损坏。
  - ⚠ 放回制冰盒前，确保其内部不潮湿。
  - ⚠ 在将制冰盒放回机壳并关闭冷冻室门后，如果您想要从出冰机获得冰块，再次按下“关闭制冰”按键，退出“关闭制冰”模式。

⚠ 请勿接触制冰盒内的移动零件，例如，刀具。

① 长时间不使用时，请清空贮水器。

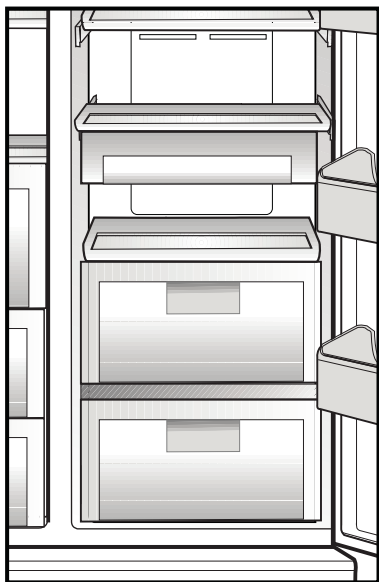


## 制冷室

如果想要使用支架下面的储藏容器作为制冷室，可以如图所示，放置支架下面的储藏容器。

制冷室使食物做好冷冻准备。您也可以使用这些空间以比冷藏室低的温度存放食物。

您可以通过拆除制冷室，增大冰箱内的容量。方法是，向外拉这些隔间；隔间将在止动器处倾斜，并停止移动。在您抬高大约 1 cm，就可以释放之，并向外拉出。



## 7 问题解决建议

致电服务机构前，请审核该清单。其可以节约您的时间和资金。该清单包含经常出现的、并非工艺和材料使用缺陷导致之投诉。这里描述的某些特点可能不会在您的产品中出现。

### 冰箱不工作。

- 冰箱插头是否适当插入？在壁式插座插入插头。
- 冰箱连接的插座之保险丝或者主保险丝是否熔断？检查保险丝。

### 冷藏室的侧壁出现冷凝水（多功能区、制冷控制和变温区）。

- 环境条件很冷。经常打开和关闭冰箱门。环境条件高度潮湿。在敞开的容器中存放含有液体的食物。冰箱门未关严。将自动调温器切换为更冷的程度。
- 减少冰箱门打开的时间，或者减少使用频率。
- 使用合适的材料，覆盖保存在开口容器中的食物。
- 使用干抹布擦拭冷凝水，请检查冷凝水是否再次出现。

### 压缩机不工作

- 在突然断电或者拔下和插入接头时，由于冰箱制冷系统中的冷媒压力尚未平衡，所以，压缩机的保护热将会吹出。冰箱大约在 6 分钟后开始运行。在该时间结束后，如果冰箱仍未启动，请致电服务机构。
- 冰箱处于除霜循环。对于全自动除霜冰箱而言，这是正常的。定期执行除霜循环。
- 冰箱插头没有插入插座。确保插头适当插入插座。
- 是否正确调整了温度？
- 可能发生了断电。

#### 冰箱经常运行或者运行较长时间。

- 您的冰箱可能比之前的冰箱宽。这是很正常的。较大的冰箱需要工作较长的时间。
- 环境温度可能很高。这是很正常的。
- 冰箱插头可能插入不久，或者新近装入了食物。冰箱完全制冷可能需要多花费数小时时间。
- 最近可能在冰箱中放入了大量灼热食物。灼热的食物导致冰箱运行较长时间，直至达到安全的储存温度。
- 冰箱门可能经常打开，或者长时间未关严。进入冰箱的热空气导致冰箱运行较长时间。减少打开冰箱门的次数。
- 冷冻室或者冷藏室的门可能没有关严。检查门是否牢牢关闭。
- 冰箱调整为很低的温度。调高冰箱的温度，并等待直至达到这一温度。
- 冷藏室或冷冻室的门密封可能脏污、磨损，断裂或者没有适当固定好。清洁或更换密封。损坏/断裂的密封导致冰箱运行较长的时间，才能保持当前的温度。

#### 冷冻室温度很低，而冷藏室温度足够。

- 冷冻室调整为很低的温度。调高冷冻室的温度，并检查。

#### 冷藏室温度很低，而冷冻室温度足够。

- 冷藏室可能被调整为很低的温度。调高冷藏室的温度，并检查。

#### 在冷藏室保存的食物上冻。

- 冷藏室可能被调整为很低的温度。调高冷藏室的温度，并检查。

#### 冷藏室或者冷冻室的温度很高。

- 冷藏室可能被调整为很高的温度。冷藏室调整对冷冻室的温度有影响。变更冷藏室或冷冻室的温度，直至冷藏室或冷冻室的温度达到充分的水平。
- 冰箱门可能经常打开，或者长时间未关严；请减少打开冰箱门的次数。
- 冰箱门未关严；完全关闭冰箱门。
- 最近可能在冰箱中放入了大量灼热食物。等待直至冷藏室或冷冻室达到必要的温度。
- 冰箱可能插入插头不久。冰箱完全冷却需要些时间。

#### 冰箱工作时，噪声增加。

- 冰箱的操作性能可能会视环境温度的变化而有所不同。这是正常的，并非故障。

#### 振动或噪声。

<ul style="list-style-type: none"> <li>• 地面不平坦或者不牢固。冰箱在缓慢移动时，会摇晃。确保地面足够坚固，能够承载冰箱，且水平。</li> <li>• 噪声可能是由于放在冰箱上的物品导致的。应当取下冰箱顶部的物品。</li> </ul>
冰箱发出类似液体喷溅或者喷射的噪音。
<ul style="list-style-type: none"> <li>• 根据冰箱的操作原理，发生了液体和气体流动。这是正常的，并非故障。</li> </ul>
有类似风吹的噪声。
<ul style="list-style-type: none"> <li>• 为了使冰箱冷却，使用了风扇。这是正常的，并非故障。</li> </ul>
冰箱内壁出现冷凝水。
<ul style="list-style-type: none"> <li>• 炎热和潮湿的天气增加了结冰和冷凝情况。这是正常的，并非故障。</li> <li>• 门可能未关严；确保完全关闭冰箱门。</li> <li>• 冰箱门可能经常打开，或者长时间未关严；请减少打开冰箱门的次数。</li> </ul>
冰箱外面或者冰箱门之间有湿气。
<ul style="list-style-type: none"> <li>• 空气可能过于潮湿；在潮湿的天气里，这是完全正常的。在湿度下降时，冷凝水会消失。</li> </ul>
冰箱内出现异味。
<ul style="list-style-type: none"> <li>• 必须清洁冰箱内部。用海绵蘸取温水或者苏打水，清洁冰箱内部。</li> <li>• 某些容器或者包装材料可能导致出现异味。使用不同的容器或者不同品牌的包装材料。</li> </ul>
冰箱门未关。
<ul style="list-style-type: none"> <li>• 食品包装可能妨碍关闭冰箱门。更换妨碍关闭冰箱门的包装。</li> <li>• 冰箱没有在地面上完全直立，在略微移动时会摇动。调整升降螺丝。</li> <li>• 地面不水平或者不够牢固。确保地面水平，并能够承载冰箱。</li> </ul>
新鲜蔬菜保存盒卡住
<ul style="list-style-type: none"> <li>• 食物可能接触到了抽屉顶板。重新摆放抽屉中的食物。</li> </ul>

